

NFPA® 96

Standard for Ventilation Control and Fire Protection of Commercial Cooking Operations

2014 Edition



NFPA, 1 Batterymarch Park, Quincy, MA 02169-7471
An International Codes and Standards Organization

IMPORTANT NOTICES AND DISCLAIMERS CONCERNING NFPA® DOCUMENTS
NOTICE AND DISCLAIMER OF LIABILITY CONCERNING THE USE OF NFPA DOCUMENTS

NFPA® codes, standards, recommended practices, and guides (“NFPA Documents”), of which the document contained herein is one, are developed through a consensus standards development process approved by the American National Standards Institute. This process brings together volunteers representing varied viewpoints and interests to achieve consensus on fire and other safety issues. While the NFPA administers the process and establishes rules to promote fairness in the development of consensus, it does not independently test, evaluate, or verify the accuracy of any information or the soundness of any judgments contained in NFPA Documents.

The NFPA disclaims liability for any personal injury, property or other damages of any nature whatsoever, whether special, indirect, consequential or compensatory, directly or indirectly resulting from the publication, use of, or reliance on NFPA Documents. The NFPA also makes no guaranty or warranty as to the accuracy or completeness of any information published herein.

In issuing and making NFPA Documents available, the NFPA is not undertaking to render professional or other services for or on behalf of any person or entity. Nor is the NFPA undertaking to perform any duty owed by any person or entity to someone else. Anyone using this document should rely on his or her own independent judgment or, as appropriate, seek the advice of a competent professional in determining the exercise of reasonable care in any given circumstances.

The NFPA has no power, nor does it undertake, to police or enforce compliance with the contents of NFPA Documents. Nor does the NFPA list, certify, test, or inspect products, designs, or installations for compliance with this document. Any certification or other statement of compliance with the requirements of this document shall not be attributable to the NFPA and is solely the responsibility of the certifier or maker of the statement.

REMINDER: UPDATING OF NFPA DOCUMENTS

Users of NFPA codes, standards, recommended practices, and guides (“NFPA Documents”) should be aware that NFPA Documents may be amended from time to time through the issuance of Tentative Interim Amendments or corrected by Errata. An official NFPA Document at any point in time consists of the current edition of the document together with any Tentative Interim Amendment and any Errata then in effect.

In order to determine whether an NFPA Document has been amended through the issuance of Tentative Interim Amendments or corrected by Errata, visit the Document Information Pages on NFPA’s website. The Document Information Pages provide up-to-date, document specific information including any issued Tentative Interim Amendments and Errata.

To access the Document Information Page for a specific NFPA Document go to <http://www.nfpa.org/document> for a list of NFPA Documents, and click on the appropriate Document number (e.g., NFPA 101). In addition to posting all existing Tentative Interim Amendments and Errata, the Document Information Page also includes the option to sign-up for an “Alert” feature to receive an email notification when new updates and other information are posted regarding the document.

IMPORTANT NOTICES AND DISCLAIMERS CONCERNING NFPA® DOCUMENTS

ADDITIONAL NOTICES AND DISCLAIMERS

Updating of NFPA Documents

Users of NFPA codes, standards, recommended practices, and guides (“NFPA Documents”) should be aware that these documents may be superseded at any time by the issuance of new editions or may be amended from time to time through the issuance of Tentative Interim Amendments. An official NFPA Document at any point in time consists of the current edition of the document together with any Tentative Interim Amendments and any Errata then in effect. In order to determine whether a given document is the current edition and whether it has been amended through the issuance of Tentative Interim Amendments or corrected through the issuance of Errata, consult appropriate NFPA publications such as the National Fire Codes® Subscription Service, visit the NFPA website at www.nfpa.org, or contact the NFPA at the address listed below.

Interpretations of NFPA Documents

A statement, written or oral, that is not processed in accordance with Section 6 of the Regulations Governing Committee Projects shall not be considered the official position of NFPA or any of its Committees and shall not be considered to be, nor be relied upon as, a Formal Interpretation.

Patents

The NFPA does not take any position with respect to the validity of any patent rights referenced in, related to, or asserted in connection with an NFPA Document. The users of NFPA Documents bear the sole responsibility for determining the validity of any such patent rights, as well as the risk of infringement of such rights, and the NFPA disclaims liability for the infringement of any patent resulting from the use of or reliance on NFPA Documents.

NFPA adheres to the policy of the American National Standards Institute (ANSI) regarding the inclusion of patents in American National Standards (“the ANSI Patent Policy”), and hereby gives the following notice pursuant to that policy:

NOTICE: The user’s attention is called to the possibility that compliance with an NFPA Document may require use of an invention covered by patent rights. NFPA takes no position as to the validity of any such patent rights or as to whether such patent rights constitute or include essential patent claims under the ANSI Patent Policy. If, in connection with the ANSI Patent Policy, a patent holder has filed a statement of willingness to grant licenses under these rights on reasonable and nondiscriminatory terms and conditions to applicants desiring to obtain such a license, copies of such filed statements can be obtained, on request, from NFPA. For further information, contact the NFPA at the address listed below.

Law and Regulations

Users of NFPA Documents should consult applicable federal, state, and local laws and regulations. NFPA does not, by the publication of its codes, standards, recommended practices, and guides, intend to urge action that is not in compliance with applicable laws, and these documents may not be construed as doing so.

Copyrights

NFPA Documents are copyrighted. They are made available for a wide variety of both public and private uses. These include both use, by reference, in laws and regulations, and use in private self-regulation, standardization, and the promotion of safe practices and methods. By making these documents available for use and adoption by public authorities and private users, the NFPA does not waive any rights in copyright to these documents.

Use of NFPA Documents for regulatory purposes should be accomplished through adoption by reference. The term “adoption by reference” means the citing of title, edition, and publishing information only. Any deletions, additions, and changes desired by the adopting authority should be noted separately in the adopting instrument. In order to assist NFPA in following the uses made of its documents, adopting authorities are requested to notify the NFPA (Attention: Secretary, Standards Council) in writing of such use. For technical assistance and questions concerning adoption of NFPA Documents, contact NFPA at the address below.

For Further Information

All questions or other communications relating to NFPA Documents and all requests for information on NFPA procedures governing its codes and standards development process, including information on the procedures for requesting Formal Interpretations, for proposing Tentative Interim Amendments, and for proposing revisions to NFPA documents during regular revision cycles, should be sent to NFPA headquarters, addressed to the attention of the Secretary, Standards Council, NFPA, 1 Batterymarch Park, P.O. Box 9101, Quincy, MA 02269-9101; email: stds_admin@nfpa.org

For more information about NFPA, visit the NFPA website at www.nfpa.org.

Copyright © 2013 National Fire Protection Association®. All Rights Reserved.

NFPA® 96

Standard for

Ventilation Control and Fire Protection of Commercial Cooking Operations

2014 Edition

This edition of NFPA 96, *Standard for Ventilation Control and Fire Protection of Commercial Cooking Operations*, was prepared by the Technical Committee on Venting Systems for Cooking Appliances, and acted on by NFPA at its June Association Technical Meeting held June 10–13, 2013, in Chicago, IL. It was issued by the Standards Council on August 1, 2013, with an effective date of August 21, 2013, and supersedes all previous editions.

This edition of NFPA 96 was approved as an American National Standard on August 21, 2013.

Origin and Development of NFPA 96

The subject of the ventilation of restaurant-type cooking equipment was first considered by the NFPA Committee on Blower and Exhaust Systems, which developed material on ventilation of restaurant-type cooking equipment to be included in NFPA 91, *Standard for the Installation of Blower and Exhaust Systems for Dust, Stock, and Vapor Removal or Conveying*. That standard was adopted by the Association in 1946, and revisions were adopted in 1947 and 1949.

When the NFPA Committee on Chimneys and Heating Equipment was organized in 1955, the material on ventilation of restaurant cooking equipment in NFPA 91 was assigned to the new committee with the suggestion that it be revised and published as a separate standard. Since then, the standard has been published as NFPA 96. Editions prepared by the Committee on Chimneys and Heating Equipment were adopted by the Association in 1961, 1964, 1969, 1970, 1971, 1973, 1976, 1978, 1980, and 1984.

The Correlating Committee on Chimneys and Other Heat and Vapor Removal Equipment was discharged by the Standards Council in 1986. The Technical Committee that prepared the 1987 edition of NFPA 96 became known as the Technical Committee on Venting Systems for Cooking Appliances.

In the 1991 edition, clearance requirements to combustible material were revised and expanded, including appendix figures that illustrated examples. A new definition for *limited-combustible* was added to the standard, and an appendix table was included to show typical construction assemblies. Chapters 3 and 4 were totally revised.

In the 1994 edition, the Committee changed the name of the standard from *Standard for the Installation of Equipment for the Removal of Smoke and Grease-Laden Vapors from Commercial Cooking Equipment* to *Standard for Ventilation Control and Fire Protection of Commercial Cooking Operations*. The title change reflected other changes in the standard: two new chapters, one on recirculating systems and the other on solid fuel cooking operations, were added. A change to clearance and enclosure requirements in the 1994 edition allowed, for the first time, materials or products to be directly applied to a duct.

The Committee prepared a revision to the standard reporting to the 1996 Fall Meeting, which was returned to the Committee at the Technical Committee Reports Session.

The 1998 edition contained new definitions, minor revisions throughout, and a completely revised Chapter 7 on fire-extinguishing equipment.

The 2001 edition revised the document scope to clarify the application of the standard regarding residential-type cooking equipment. Further technical changes clarified requirements for duct installation, rooftop terminations, and fire protection equipment. The 2001 edition also contained a significant organizational and editorial revision based on the *Manual of Style for NFPA Technical Committee Documents*.

The 2004 edition added a chapter that addressed the requirements for downdraft appliance ventilation as well as clarifications of the requirements for cleaning and maintaining exhaust systems and diagrams detailing new arrangements for hoods with integrated supply air.

The 2008 edition clarified the requirements for field-applied and factory-built grease duct enclosures. It also recognized new technologies for venting, such as ultraviolet hoods and ventilating ceilings. New requirements were also added for documentation of exhaust system cleaning and maintenance.

The 2011 edition added additional requirements for equipment installed in hoods and ducts. It also required persons conducting inspection and testing of listed hoods to be certified. The maximum distance a fire extinguisher is permitted to be from an appliance was clarified, and it is now required that notification of the impairment of the fire-extinguishing system be given in writing.

The 2014 edition introduces new requirements for the use of solid fuel as a flavor enhancer. It also adds a listing requirement for fans used in exhaust systems, a diagram of a wall-mounted fan, and a requirement for exhaust fan activation when any appliance under a hood is turned on. Criteria have also been added that affect existing dry or wet chemical systems not in compliance with ANSI/UL 300 when significant changes are made to a system and that establish a deadline for fire protection systems to meet the minimum requirements.

Technical Committee on Venting Systems for Cooking Appliances

R. T. Leicht, *Chair*

State of Delaware, DE [E]

Rep. International Fire Marshals Association

Gary G. Hopson, *Secretary*

Global Risk Consultants Corporation, MI [SE]

Phil Ackland, Phillip Ackland Holdings Ltd.,
Canada [SE]

Bernard P. Besal, Besal Services, Inc., GA [IM]
Rep. International Kitchen Exhaust Cleaning
Association

Mark A. Buchanan, City of Boston Fire Department,
MA [E]

Laurence W. Caraway, Jr., Kitchen Klean Inc., NH [IM]

Lisa Carr, Christiana Care Health Services, DE [U]

Russell Clark, Certified Hood & Duct Cleaners
Association, TN [IM]

Mark T. Conroy, Brooks Equipment Company, MA [M]

Lee C. DeVito, FIREPRO Incorporated, MA [SE]

Rod Getz, Getz Fire Equipment, IL [IM]
Rep. National Association of Fire Equipment
Distributors

Christopher M. Hiener, Union Fire District of South
Kingstown, RI [E]

Francis J. Kohout, McDonald's Corporation, IL [U]

Steven F. Levin, CNA Insurance Company, IL [I]

Armond Lombas, Louisiana Office of the State Fire
Marshal, LA [E]

John Lopes, U.S. Army Corps of Engineers, AP [U]

Philip O. Morton, Gaylord Industries Inc., OR [M]

James G. Munger, James G. Munger & Associates, Inc.,
AL [SE]

James Murphy, Amerex Corporation, AL [M]
Rep. Fire Equipment Manufacturers' Association

Thomas E. Pavlock, Zurich Insurance, FL [I]

Shaun Ray, Metal-Fab, Inc., KS [M]

Rep. Air-Conditioning, Heating, & Refrigeration
Institute

M. D. "Doc" Reisman, Averus, IL [IM]

Rep. Power Washers of North America

Christopher A. Roth, Town of Brighton, NY [E]

Frederick Sanford, Liberty Mutual Insurance Company,
MA [I]

Harry Schildkraut, S2O Consultants, Inc., IL [SE]

Rep. Foodservice Consultants Society International

Christopher R. Schulz, Van-Packer Company, Inc., IL [M]

Dwayne E. Sloan, UL LLC, NC [RT]

James F. Valentine, Jr., James F. Valentine, Jr., Inc.,
NJ [IM]

Alternates

Tracy Ashmore, Blastoff Hood Cleaning, TN [IM]
(Alt. to R. Clark)

W. Nelson Dilg, Nelbud Services Group, NJ [IM]
(Alt. to B. P. Besal)

Gray M. Fowler, Liberty Mutual Insurance Group, MS [I]
(Alt. to F. Sanford)

Jason Greenberg, McDonald's USA, LLC, IL [U]
(Alt. to F. J. Kohout)

Michael Hinderliter, Facilitec Southwest (Hood
Specialists, Inc.), TX [IM]
(Alt. to M. D. "Doc" Reisman)

Richard Kukla, Robert Rippe & Associates, MN [SE]
(Alt. to H. Schildkraut)

Bruce Lukens, Gaylord Industries Inc., OR [M]
(Alt. to P. O. Morton)

Norbert W. Makowka, National Association of Fire
Equipment Distributors, IL [IM]

(Alt. to R. Getz)

Jayendra S. Parikh, Compliance Solutions International
Inc., IL [M]

(Alt. to C. R. Schulz)

Kurt A. Ruchala, FIREPRO Incorporated, MA [SE]
(Alt. to L. C. DeVito)

John W. Rudd, Delaware State Fire Marshal Office,
DE [E]

(Alt. to R. T. Leicht)

Blake M. Shugarman, UL LLC, IL [RT]

(Alt. to D. E. Sloan)

William Vegso, Buckeye Fire Equipment Company,
NC [M]

(Alt. to J. Murphy)

Nonvoting

Russell P. Fleming, National Fire Sprinkler Association,
Inc., NY [IM]

Rep. Correlating Committee on Automatic Sprinklers

Sandra Stanek, NFPA Staff Liaison

This list represents the membership at the time the Committee was balloted on the final text of this edition. Since that time, changes in the membership may have occurred. A key to classifications is found at the back of the document.

NOTE: Membership on a committee shall not in and of itself constitute an endorsement of the Association or any document developed by the committee on which the member serves.

Committee Scope: This Committee shall have primary responsibility for documents on fire safety in the design, installation, and use of exhaust systems (including hoods, grease removal devices, exhaust ducts, dampers, air-moving devices, and auxiliary equipment) for the removal of products of combustion, heat, grease, and vapors from cooking equipment, including the application of associated fire extinguishing systems.

Contents

Chapter 1 Administration	96- 6	7.7 Interior Installations	96-16
1.1 Scope	96- 6	7.8 Termination of Exhaust System	96-17
1.2 Purpose	96- 6	Chapter 8 Air Movement	96-18
1.3 Application	96- 6	8.1 Exhaust Fans for Commercial Cooking Operations.	96-18
1.4 Retroactivity	96- 6	8.2 Airflow	96-20
1.5 Equivalency	96- 6	8.3 Replacement Air	96-20
Chapter 2 Referenced Publications	96- 6	8.4 Common Duct (Manifold) Systems	96-20
2.1 General	96- 6	Chapter 9 Auxiliary Equipment	96-20
2.2 NFPA Publications	96- 7	9.1 Dampers	96-20
2.3 Other Publications	96- 7	9.2 Electrical Equipment	96-20
2.4 References for Extracts in Mandatory Sections	96- 7	9.3 Other Equipment	96-20
Chapter 3 Definitions	96- 7	Chapter 10 Fire-Extinguishing Equipment	96-21
3.1 General	96- 7	10.1 General Requirements	96-21
3.2 NFPA Official Definitions	96- 7	10.2 Types of Equipment	96-21
3.3 General Definitions	96- 8	10.3 Simultaneous Operation	96-22
Chapter 4 General Requirements	96-10	10.4 Fuel and Electric Power Shutoff	96-22
4.1 General	96-10	10.5 Manual Activation	96-22
4.2 Clearance	96-10	10.6 System Annunciation	96-23
4.3 Field-Applied and Factory-Built Grease Duct Enclosures	96-10	10.7 System Supervision	96-23
4.4 Building and Structural Duct Contact	96-11	10.8 Special Design and Application	96-23
4.5 Duct Clearances to Enclosures	96-11	10.9 Review and Certification	96-23
4.6 Drawings	96-11	10.10 Portable Fire Extinguishers	96-23
4.7 Authority Having Jurisdiction Notification	96-11	Chapter 11 Procedures for the Use, Inspection, Testing, and Maintenance of Equipment	96-23
4.8 Materials	96-11	11.1 Operating Procedures	96-23
Chapter 5 Hoods	96-12	11.2 Inspection, Testing, and Maintenance of Fire-Extinguishing Systems	96-24
5.1 Construction	96-12	11.3 Inspection of Fire Dampers	96-24
5.2 Hood Size	96-12	11.4 Inspection for Grease Buildup	96-24
5.3 Exhaust Hood Assemblies with Integrated Supply Air Plenums	96-12	11.5 Inspection, Testing, and Maintenance of Listed Hoods Containing Mechanical, Water Spray, or Ultraviolet Devices	96-24
5.4 Listed Hood Assemblies	96-13	11.6 Cleaning of Exhaust Systems	96-24
5.5 Listed Ultraviolet Hoods	96-13	11.7 Cooking Equipment Maintenance	96-25
5.6 Listed Ventilated Ceiling Technology	96-13	Chapter 12 Minimum Safety Requirements for Cooking Equipment	96-25
Chapter 6 Grease Removal Devices in Hoods	96-13	12.1 Cooking Equipment	96-25
6.1 Grease Removal Devices	96-13	12.2 Operating Controls	96-25
6.2 Installation	96-13	Chapter 13 Recirculating Systems	96-25
Chapter 7 Exhaust Duct Systems	96-13	13.1 General Requirements	96-25
7.1 General	96-13	13.2 Design Restrictions	96-25
7.2 Clearance	96-14	13.3 Interlocks	96-26
7.3 Openings	96-14	13.4 Location and Application Restrictions	96-26
7.4 Openings in Ducts	96-14	13.5 Additional Fire Safety Requirements	96-26
7.5 Other Grease Ducts	96-15	13.6 Use and Maintenance	96-26
7.6 Exterior Installations	96-15		



Chapter 14 Solid Fuel Cooking Operations	96-27	14.9	Minimum Safety Requirements: Fuel Storage, Handling, and Ash Removal for Solid Fuel Cooking	96-28
14.1 Venting Application	96-27			
14.2 Location of Appliances	96-27			
14.3 Hoods for Solid Fuel Cooking	96-27	Chapter 15	Downdraft Appliance Ventilation Systems	96-30
14.4 Exhaust for Solid Fuel Cooking	96-27	15.1	General Requirements	96-30
14.5 Grease Removal Devices for Solid Fuel Cooking	96-27	15.2	Fire-Extinguishing Equipment	96-30
14.6 Air Movement for Solid Fuel Cooking	96-28	15.3	Airflow Switch or Transducer	96-30
14.7 Fire-Extinguishing Equipment for Solid Fuel Cooking	96-28	15.4	Surface Materials	96-30
14.8 Procedures for Inspection, Cleaning, and Maintenance for Solid Fuel Cooking	96-28	Annex A	Explanatory Material	96-30
		Annex B	Informational References	96-40
		Index		96-42

NFPA 96**Standard for****Ventilation Control and Fire Protection of
Commercial Cooking Operations****2014 Edition**

IMPORTANT NOTE: *This NFPA document is made available for use subject to important notices and legal disclaimers. These notices and disclaimers appear in all publications containing this document and may be found under the heading "Important Notices and Disclaimers Concerning NFPA Documents." They can also be obtained on request from NFPA or viewed at www.nfpa.org/disclaimers.*

NOTICE: An asterisk (*) following the number or letter designating a paragraph indicates that explanatory material on the paragraph can be found in Annex A.

Changes other than editorial are indicated by a vertical rule beside the paragraph, table, or figure in which the change occurred. These rules are included as an aid to the user in identifying changes from the previous edition. Where one or more complete paragraphs have been deleted, the deletion is indicated by a bullet (•) between the paragraphs that remain.

A reference in brackets [] following a section or paragraph indicates material that has been extracted from another NFPA document. As an aid to the user, the complete title and edition of the source documents for extracts in mandatory sections of the document are given in Chapter 2 and those for extracts in informational sections are given in Annex B. Extracted text may be edited for consistency and style and may include the revision of internal paragraph references and other references as appropriate. Requests for interpretations or revisions of extracted text shall be sent to the technical committee responsible for the source document.

Information on referenced publications can be found in Chapter 2 and Annex B.

Chapter 1 Administration**1.1 Scope.**

1.1.1* This standard shall provide the minimum fire safety requirements (preventative and operative) related to the design, installation, operation, inspection, and maintenance of all public and private cooking operations.

1.1.2 This standard shall apply to residential cooking equipment used for commercial cooking operations.

1.1.3 This standard shall not apply to cooking equipment located in a single dwelling unit.

1.1.4* This standard shall not apply to facilities where all of the following are met:

- (1) Only residential equipment is being used.
- (2) Fire extinguishers are located in all kitchen areas in accordance with NFPA 10, *Standard for Portable Fire Extinguishers*.
- (3) The facility is not an assembly occupancy.
- (4) The authority having jurisdiction has approved the installation.

1.2 Purpose. The purpose of this standard shall be to reduce the potential fire hazard of cooking operations, irrespective of

the type of cooking equipment used and whether it is used in public or private facilities.

1.3 Application.

1.3.1* This standard shall be applied as a united whole.

1.3.2 The authority having jurisdiction shall determine compliance with this standard and authorize equivalent deviations from it in all applications.

1.4 Retroactivity. The provisions of this standard reflect a consensus of what is necessary to provide an acceptable degree of protection from the hazards addressed in this standard at the time the standard was issued.

1.4.1 Unless otherwise specified, the provisions of this standard shall not apply to facilities, equipment, structures, or installations that existed or were approved for construction or installation prior to the effective date of the standard. Where specified, the provisions of this standard shall be retroactive.

1.4.2 In those cases where the authority having jurisdiction determines that the existing situation presents an unacceptable degree of risk, the authority having jurisdiction shall be permitted to apply retroactively any portions of this standard deemed appropriate.

1.4.3 The retroactive requirements of this standard shall be permitted to be modified if their application clearly would be impractical in the judgment of the authority having jurisdiction and only where it is clearly evident that a reasonable degree of safety is provided.

1.5 Equivalency. Nothing in this standard is intended to prevent the use of systems, methods, or devices of equivalent or superior quality, strength, fire resistance, effectiveness, durability, and safety over those prescribed by this standard.

1.5.1 Technical documentation shall be submitted to the authority having jurisdiction to demonstrate equivalency.

1.5.2 The system, method, or device shall be approved for the intended purpose by the authority having jurisdiction.

Chapter 2 Referenced Publications

2.1 General. The documents or portions thereof listed in this chapter are referenced within this standard and shall be considered part of the requirements of this document.

2.2 NFPA Publications. National Fire Protection Association, 1 Batterymarch Park, Quincy, MA 02169-7471.

NFPA 10, *Standard for Portable Fire Extinguishers*, 2013 edition.
NFPA 12, *Standard on Carbon Dioxide Extinguishing Systems*, 2011 edition.

NFPA 13, *Standard for the Installation of Sprinkler Systems*, 2013 edition.

NFPA 17, *Standard for Dry Chemical Extinguishing Systems*, 2013 edition.

NFPA 17A, *Standard for Wet Chemical Extinguishing Systems*, 2013 edition.

NFPA 54, *National Fuel Gas Code*, 2012 edition.

NFPA 58, *Liquefied Petroleum Gas Code*, 2014 edition.

NFPA 70[®], *National Electrical Code[®]*, 2014 edition.

NFPA 80, *Standard for Fire Doors and Other Opening Protectives*, 2013 edition.

NFPA 211, *Standard for Chimneys, Fireplaces, Vents, and Solid Fuel-Burning Appliances*, 2013 edition.



NFPA 259, *Standard Test Method for Potential Heat of Building Materials*, 2013 edition.

NFPA 750, *Standard on Water Mist Fire Protection Systems*, 2014 edition.

2.3 Other Publications.

2.3.1 ASTM Publications. ASTM International, 100 Barr Harbor Drive, P.O. Box C700, West Conshohocken, PA 19428-2959.

ASTM E 84, *Standard Test Method for Surface Burning Characteristics of Building Materials*, 2012b.

ASTM E 119, *Standard Test Methods for Fire Tests of Building Construction and Materials*, 2012a.

ASTM E 136, *Standard Test Method for Behavior of Materials in a Vertical Tube Furnace at 750°C*, 2009b.

ASTM E 814, *Standard Test Method for Fire Tests of Through-Penetration Fire Stops*, 2011a.

ASTM E 2336, *Standard Test Methods for Fire Resistive Grease Duct Enclosure Systems*, 2004, re-approval (2009).

ASTM E 2652, *Standard Test Method for Behavior of Materials in a Tube Furnace with a Cone-shaped Airflow Stabilizer, at 750°C*, 2009.

2.3.2 EPA Publication. Environmental Protection Agency, Ariel Rios Bldg., 1200 Pennsylvania Avenue, NW, Washington, DC 20460.

EPA Test Method 202, *Determination of Condensable Particulate Emissions from Stationary Sources*, 2010.

2.3.3 UL Publications. Underwriters Laboratories Inc., 333 Pflugsten Road, Northbrook, IL 60062-2096.

ANSI/UL 197, *Standard for Commercial Electric Cooking Appliances*, 2010, revised 2011.

ANSI/UL 263, *Standard for Fire Tests of Building Construction and Materials*, 2011.

ANSI/UL 300, *Standard for Fire Testing of Fire Extinguishing Systems for Protection of Commercial Cooking Equipment*, 2005, revised 2010.

UL 710, *Standard for Exhaust Hoods for Commercial Cooking Equipment*, 1995, revised 2010.

ANSI/UL 710B, *Standard for Recirculating Systems*, 2011.

UL 710C, *Outline of Investigation for Ultraviolet Radiation Systems for Use in the Ventilation Control of Commercial Cooking Operations*, 2006.

ANSI/UL 723, *Standard for Test for Surface Burning Characteristics of Building Materials*, 2008, revised 2010.

UL 762, *Outline of Investigation for Power Roof Ventilators for Restaurant Exhaust Appliances*, 2010.

ANSI/UL 1046, *Standard for Grease Filters for Exhaust Ducts*, 2010, revised 2012.

ANSI/UL 1479, *Standard for Fire Tests of Through-Penetration Firestops*, 2003, revised 2010.

ANSI/UL 1978, *Standard for Grease Ducts*, 2005, revised 2010.

UL 2221, *Standard for Tests of Fire Resistive Grease Duct Enclosure Assemblies*, 2010.

2.3.4 Other Publications.

Merriam-Webster's Collegiate Dictionary, 11th edition, Merriam-Webster, Inc., Springfield, MA, 2003.

2.4 References for Extracts in Mandatory Sections.

NFPA 80, *Standard for Fire Doors and Other Opening Protectives*, 2013 edition.

NFPA 101[®], *Life Safety Code*[®], 2012 edition.

NFPA 150, *Standard on Fire and Life Safety in Animal Housing Facilities*, 2013 edition.

NFPA 211, *Standard for Chimneys, Fireplaces, Vents, and Solid Fuel-Burning Appliances*, 2013 edition.

NFPA 5000[®], *Building Construction and Safety Code*[®], 2012 edition.

Chapter 3 Definitions

3.1 General. The definitions contained in this chapter shall apply to the terms used in this standard. Where terms are not defined in this chapter or within another chapter, they shall be defined using their ordinarily accepted meanings within the context in which they are used. *Merriam-Webster's Collegiate Dictionary*, 11th edition, shall be the source for the ordinarily accepted meaning.

3.2 NFPA Official Definitions.

3.2.1* Approved. Acceptable to the authority having jurisdiction.

3.2.2* Authority Having Jurisdiction (AHJ). An organization, office, or individual responsible for enforcing the requirements of a code or standard, or for approving equipment, materials, an installation, or a procedure.

3.2.3 Labeled. Equipment or materials to which has been attached a label, symbol, or other identifying mark of an organization that is acceptable to the authority having jurisdiction and concerned with product evaluation, that maintains periodic inspection of production of labeled equipment or materials, and by whose labeling the manufacturer indicates compliance with appropriate standards or performance in a specified manner.

3.2.4* Listed. Equipment, materials, or services included in a list published by an organization that is acceptable to the authority having jurisdiction and concerned with evaluation of products or services, that maintains periodic inspection of production of listed equipment or materials or periodic evaluation of services, and whose listing states that either the equipment, material, or service meets appropriate designated standards or has been tested and found suitable for a specified purpose.

3.2.5 Shall. Indicates a mandatory requirement.

3.2.6 Should. Indicates a recommendation or that which is advised but not required.

3.2.7 Standard. A document, the main text of which contains only mandatory provisions using the word "shall" to indicate requirements and which is in a form generally suitable for mandatory reference by another standard or code or for adoption into law. Nonmandatory provisions are not to be considered a part of the requirements of a standard and shall be located in an appendix, annex, footnote, informational note, or other means as permitted in the *Manual of Style for NFPA Technical Committee Documents*.

3.3 General Definitions.

3.3.1 Access Panel. A closure device used to cover an opening into a duct, an enclosure, equipment, or an appurtenance.

3.3.2 Air Intakes. An opening in a building's envelope whose purpose is to allow outside air to be drawn into the structure to replace inside air that is removed by exhaust systems or to improve the quality of the inside air by providing a source of air having a lower concentration of odors, suspended particles, or heating content.

3.3.3 Air Pollution Control Devices. Equipment and devices used for the purpose of cleaning air passing through them or by them in such a manner as to reduce or remove the impurities contained therein.

3.3.4* Appliance Flue Outlet. The opening or openings in a cooking device where vapors, combustion gases, or both leave the cooking device.

3.3.5 Appurtenance. An accessory or a subordinate part that enables the primary device to perform or improves its intended function.

3.3.6 Assembly Occupancy. An occupancy (1) used for a gathering of 50 or more persons for deliberation, worship, entertainment, eating, drinking, amusement, awaiting transportation, or similar uses; or (2) used as a special amusement building, regardless of occupant load. [101, 2012]

3.3.7 Automatic. Performing a function without the necessity of human intervention.

3.3.8 Baffle Plate. An object placed in or near an appliance to change the direction of or to retard the flow of air, air-fuel mixtures, or flue gases.

3.3.9 Broiler.

3.3.9.1 High Broiler. See 3.3.9.3, Upright Broiler.

3.3.9.2 Salamander Broiler. See 3.3.9.3, Upright Broiler.

3.3.9.3 Upright Broiler. An appliance used in the preparation of food whereby foods are exposed to intense radiant heat, and perhaps to convective heat, with the food or the food and the radiant source not limited to a horizontal mode.

3.3.10* Certified. A formally stated recognition and approval of an acceptable level of competency, acceptable to the AHJ.

3.3.11 Classified. Products or materials of a specific group category that are constructed, inspected, tested, and subsequently reinspected in accordance with an established set of requirements. The classification process is performed by an organization acceptable to the authority having jurisdiction. [80, 2013]

3.3.12 Clean(ing). For kitchen exhaust systems and cooking equipment, the act of removing grease, oil deposits, and other residue.

3.3.13 Clearly Identified. Capable of being recognized by a person of normal vision without causing uncertainty and indecisiveness about the location or operating process of the identified item.

3.3.14* Construction.

3.3.14.1 Closed Combustible Construction. Combustible building construction, including walls, structural framing, roofs, roof ceilings, floors, and floor-ceiling assemblies, continuously enclosing a grease duct on four sides where one or more sides are protected.

3.3.14.2 Open Combustible Construction. Combustible building construction, including wall, structural framing, roof, roof ceiling, floor, and floor-ceiling assemblies, adjacent to a grease duct on three or fewer sides where one or more sides are protected.

3.3.15* Continuous Weld. A metal-joining method that produces a product without visible interruption or variation in quality.

3.3.16 Damper. A valve or plate for controlling draft or flow of gases, including air.

3.3.17 Detection Devices. Electrical, pneumatic, thermal, mechanical, or optical sensing instruments, or subcomponents of such instruments, whose purpose is to cause an automatic action upon the occurrence of some preselected event.

3.3.18 Discharge. The final portion of a duct or pipe where the product being conveyed is emptied or released from confinement; the termination point of the pipe or duct.

3.3.19 Duct Termination. The final or intended end-portion of a duct system that is designed and functions to fulfill the obligations of the system in a satisfactory manner.

3.3.20 Ducts (or Duct System). A continuous passageway for the transmission of air and vapors that, in addition to the containment components themselves, might include duct fittings, dampers, plenums, and/or other items or air-handling equipment.

3.3.20.1 Bleed Air Duct. An intake duct in a manifold duct system, designed to input air to maintain system balance.

3.3.20.2 Grease Ducts. A containment system for the transportation of air and grease vapors that is designed and installed to reduce the possibility of the accumulation of combustible condensation and the occurrence of damage if a fire occurs within the system.

3.3.21 Easily Accessible. Within comfortable reach, with limited dependence on mechanical devices, extensions, or assistance.

3.3.22 Enclosure.

3.3.22.1 Continuous Enclosure. A recognized architectural or mechanical component of a building having a fire resistance rating as required for the structure and whose purpose is to enclose the vapor removal duct for its full length to its termination point outside the structure without any portion of the enclosure having a fire resistance rating less than the required value.

3.3.22.2 Grease Duct Enclosure.

3.3.22.2.1 Factory-Built Grease Duct Enclosure. A listed factory-built grease duct system evaluated as an enclosure system for reduced clearances to combustibles and as an alternative to a duct with its fire-rated enclosure.

3.3.22.2.2 Field-Applied Grease Duct Enclosure. A listed system evaluated for reduced clearances to combustibles and as an alternative to a duct with its fire-rated enclosure.

3.3.23 Equipment.

3.3.23.1 Fire-Extinguishing Equipment. Automatic fire-extinguishing systems and portable fire extinguishers provided for the protection of grease removal devices, hoods, duct systems, and cooking equipment, and listed for such use.

3.3.23.2* Solid Fuel Cooking Equipment. Cooking equipment that utilizes solid fuel.



3.3.24 Filter.

3.3.24.1* Grease Filter. A removable component of the grease removal system designed to capture grease and direct it to a safe collection point.

3.3.24.2 Mesh Filter. A filter construction consisting of a net made from intersecting strands with a space between each strand.

3.3.25 Fire Resistance Rating. The time, in minutes or hours, that materials or assemblies have withstood a fire exposure as established in accordance with the test procedures of ASTM E 119 or ANSI/UL 263.

3.3.26 Fire Wall. A wall separating buildings or subdividing a building to prevent the spread of the fire and having a fire resistance rating and structural stability.

3.3.27 Fume Incinerators. Devices utilizing intense heat or fire to break down and/or oxidize vapors and odors contained in gases or air being exhausted into the atmosphere.

3.3.28 Fusible Link. A form of fixed temperature heat-detecting device sometimes employed to restrain the operation of an electrical or mechanical control until its designed temperature is reached.

3.3.29* Grease. Rendered animal fat, vegetable shortening, and other such oily matter used for the purposes of and resulting from cooking and/or preparing foods.

3.3.30 Grease Removal Devices. A system of components designed and intended to process vapors, gases, and/or air as it is drawn through such devices by collecting the airborne grease particles and concentrating them for further action at some future time, leaving the exiting air with a lower amount of combustible matter.

3.3.31 Greasetight. Constructed and performing in such a manner as not to permit the passage of any grease under normal cooking conditions.

3.3.32 High Limit Control Device. An operating device installed and serving as an integral component of a deep fat fryer that provides secondary limitation of the grease temperature by automatically disconnecting the thermal energy input when the temperature limit is exceeded.

3.3.33* Hood. A device provided for a cooking appliance(s) to direct and capture grease-laden vapors and exhaust gases.

3.3.33.1 Fixed Baffle Hood. A listed unitary exhaust hood design where the grease removal device is a nonremovable assembly that contains an integral fire-activated water-wash fire-extinguishing system listed for this purpose.

3.3.34 Interconnected. Mutually assembled to another component in such a manner that the operation of one directly affects the other or that the contents of one specific duct system are allowed to encounter or contact the products being moved by another duct system.

3.3.35 Liquidtight. Constructed and performing in such a manner as not to permit the passage of any liquid at any temperature.

3.3.36 Maintenance. Work including, but not limited to, repair, replacement, and service, performed to ensure that equipment operates properly.

3.3.37* Material.

3.3.37.1 Combustible Material. Any material that will burn regardless of its autoignition temperature.

3.3.37.2 Limited-Combustible (Material). Refers to a building construction material with limited burning characteristics that, when in the form in which it is used, does not comply with the definition of *noncombustible material*. (See 4.8.2.)

3.3.37.3* Noncombustible Material. A substance that will not ignite and burn under the conditions anticipated when subjected to a fire. (See 4.8.1.)

3.3.38 Noncompliant. Not meeting all applicable requirements of this standard.

3.3.39 Pitched. To be fixed or set at a desired angle or inclination.

3.3.40 Qualified. A competent and capable person who has met the requirements and training for a given field acceptable to the AHJ.

3.3.41 Recirculating Systems. Systems for control of smoke or grease-laden vapors from commercial cooking equipment that do not exhaust to the outside.

3.3.42 Removable. Capable of being transferred to another location with a limited application of effort and tools.

3.3.43 Replacement Air. Air deliberately brought into the structure, then specifically to the vicinity of either a combustion process or a mechanically or thermally forced exhausting device, to compensate for the vapor and/or gases being consumed or expelled.

3.3.44 Single Hazard Area. Where two or more hazards can be simultaneously involved in fire by reason of their proximity, as determined by the authority having jurisdiction.

3.3.45 Solid Cooking Fuel. Any solid, organic, consumable fuel such as briquettes, mesquite, hardwood, or charcoal.

3.3.46 Solvent. A substance (usually liquid) capable of dissolving or dispersing another substance; a chemical compound designed and used to convert solidified grease into a liquid or semiliquid state in order to facilitate a cleaning operation.

3.3.47 Space.

3.3.47.1 Concealed Spaces. That portion(s) of a building behind walls, over suspended ceilings, in pipe chases, and in attics whose size might normally range from 44.45 mm (1¾ in.) stud spaces to 2.44 m (8 ft) interstitial truss spaces and that might contain combustible materials such as building structural members, thermal and/or electrical insulation, and ducting.

3.3.47.2 Confined Space. A space whose volume is less than 1.42 m³/293 W (50 ft³/1000 Btu/hr) of the aggregate input rating of all appliances installed in that space. [211, 2013]

3.3.48 Spark Arrester. A device or method that minimizes the passage of airborne sparks and embers into a plenum, duct, and flue.

3.3.49 Thermal Recovery Unit. A device or series of devices whose purpose is to reclaim only the heat content of air, vapors, gases, or fluids that are being expelled through the exhaust system and to transfer the thermal energy so reclaimed to a location whereby a useful purpose can be served.

3.3.50* Trained. A person who has become proficient in performing a skill reliably and safely through instruction and practice/field experience acceptable to the AHJ.

3.3.51 Trap. A cuplike or U-shaped configuration located on the inside of a duct system component where liquids can accumulate.

Chapter 4 General Requirements

4.1 General.

4.1.1 Cooking equipment used in processes producing smoke or grease-laden vapors shall be equipped with an exhaust system that complies with all the equipment and performance requirements of this standard.

4.1.1.1* Cooking equipment that has been listed in accordance with ANSI/UL 197 or an equivalent standard for reduced emissions shall not be required to be provided with an exhaust system.

4.1.1.2 The listing evaluation of cooking equipment covered by 4.1.1.1 shall demonstrate that the grease discharge at the exhaust duct of a test hood placed over the appliance shall not exceed 5 mg/m^3 (0.00018 oz/ft^3) when operated with a total airflow of $0.236 \text{ m}^3/\text{s}$ (500 cfm).

4.1.2 All such equipment and its performance shall be maintained in accordance with the requirements of this standard during all periods of operation of the cooking equipment.

4.1.3 The following equipment shall be kept in working condition:

- (1) Cooking equipment
- (2) Hoods
- (3) Ducts (if applicable)
- (4) Fans
- (5) Fire-extinguishing equipment
- (6) Special effluent or energy control equipment

4.1.3.1 Maintenance and repairs shall be performed on all components at intervals necessary to maintain good working condition.

4.1.4 All airflows shall be maintained.

4.1.5 The responsibility for inspection, testing, maintenance, and cleanliness of the ventilation control and fire protection of the commercial cooking operations shall ultimately be that of the owner of the system, provided that this responsibility has not been transferred in written form to a management company, tenant, or other party.

4.1.6* All solid fuel cooking equipment shall comply with the requirements of Chapter 14.

4.1.7 Multitenant applications shall require the concerted cooperation of design, installation, operation, and maintenance responsibilities by tenants and by the building owner.

4.1.8 All interior surfaces of the exhaust system shall be accessible for cleaning and inspection purposes.

4.1.9* Cooking equipment used in fixed, mobile, or temporary concessions, such as trucks, buses, trailers, pavilions, tents, or any form of roofed enclosure, shall comply with this standard unless otherwise exempted by the authority having jurisdiction in accordance with 1.3.2 of this standard.

4.2* Clearance.

4.2.1 Where enclosures are not required, hoods, grease removal devices, exhaust fans, and ducts shall have a clearance of at least 457 mm (18 in.) to combustible material, 76 mm (3 in.) to limited-combustible material, and 0 mm (0 in.) to noncombustible material.

4.2.2 Where a hood, duct, or grease removal device is listed for clearances less than those required in 4.2.1, the listing requirements shall be permitted.

4.2.3 Clearance Reduction.

4.2.3.1 Where a clearance reduction system consisting of 0.33 mm (0.013 in.) (28 gauge) sheet metal spaced out 25 mm (1 in.) on noncombustible spacers is provided, there shall be a minimum of 229 mm (9 in.) clearance to combustible material.

4.2.3.2 Where a clearance reduction system consisting of 0.69 mm (0.027 in.) (22 gauge) sheet metal on 25 mm (1 in.) mineral wool batts or ceramic fiber blanket reinforced with wire mesh or equivalent spaced 25 mm (1 in.) on noncombustible spacers is provided, there shall be a minimum of 76 mm (3 in.) clearance to combustible material.

4.2.3.3 Where a clearance reduction system consisting of a listed and labeled field-applied grease duct enclosure material, system, product, or method of construction specifically evaluated for such purpose in accordance with ASTM E 2336, the required clearance shall be in accordance with the listing.

4.2.3.4 Zero clearance to limited-combustible materials shall be permitted where protected by one of the following:

- (1) Metal lath and plaster
- (2) Ceramic tile
- (3) Quarry tile
- (4) Other noncombustible materials or assembly of noncombustible materials that are listed for the purpose of reducing clearance
- (5) Other materials and products that are listed for the purpose of reducing clearance

4.2.4 Clearance Integrity.

4.2.4.1 In the event of damage, the material or product shall be repaired and restored to meet its intended listing or clearance requirements and shall be acceptable to the AHJ.

4.2.4.2* In the event of a fire within a kitchen exhaust system, the duct and its enclosure (rated shaft, factory-built grease duct enclosure, or field-applied grease duct enclosure) shall be inspected by qualified personnel to determine whether the duct and protection method are structurally sound, capable of maintaining their fire protection function, and in compliance with this standard for continued operation.

4.2.4.3 Protection shall be provided on the wall from the bottom of the hood to the floor, or to the top of the noncombustible material extending to the floor, to the same level as required in 4.2.1.

4.2.4.4 The protection methods for ducts to reduce clearance shall be applied to the combustible or limited-combustible construction, not to the duct itself.

4.3 Field-Applied and Factory-Built Grease Duct Enclosures.

4.3.1 Field-applied grease duct enclosures shall be protected with a through-penetration firestop system classified in accor-

dance with ASTM E 814 or ANSI/UL 1479 having an “F” and a “T” rating equal to the fire resistance rating of the assembly being penetrated.

4.3.1.1 The surface of the field-fabricated grease duct shall be continuously covered on all sides from the point at which the duct enclosure penetrates a ceiling, wall, or floor to the outlet terminal.

4.3.1.2 The field-applied grease duct shall be listed in accordance with ASTM E 2336 and installed in accordance with the manufacturer’s instructions and the listing requirements.

4.3.2* Where subject to physical damage, field-applied grease duct enclosures shall be protected as deemed necessary by the authority having jurisdiction.

4.3.3 Factory-built grease duct enclosures shall be protected with a through-penetration firestop system classified in accordance with ASTM E 814 or ANSI/UL 1479 having an “F” and a “T” rating equal to the fire resistance rating of the assembly being penetrated from the point at which the duct penetrates a ceiling, wall, or floor to the outlet terminal.

4.3.3.1 The factory-built grease duct protection system shall be listed in accordance with UL 2221.

4.3.3.2 The factory-built grease duct protection system shall be installed in accordance with the manufacturer’s instructions and the listing requirements.

4.3.4 Field-applied grease duct enclosures and factory-built grease duct enclosures shall demonstrate that they provide mechanical and structural integrity, resiliency, and stability when subjected to expected building environmental conditions, duct movement under general operating conditions, and duct movement due to fire conditions.

4.3.5 The specifications of material, gauge, and construction of the duct used in the testing and listing of field-applied grease duct enclosures and factory-built grease duct enclosures shall be included as minimum requirements in their listing and installation documentation.

4.3.6 Clearance Options for Field-Applied and Factory-Built Grease Duct Enclosures. The following clearance options for which field-applied grease duct enclosures and factory-built grease duct enclosures have been successfully evaluated shall be clearly identified in their listing and installation documentation and on their labels:

- (1) Open combustible construction clearance at manufacturer’s requested dimensions
- (2) Closed combustible construction clearance at manufacturer’s requested dimensions, with or without specified ventilation
- (3) Rated shaft clearance at manufacturer’s requested dimensions, with or without specified ventilation

4.4 Building and Structural Duct Contact.

4.4.1 A duct shall be permitted to contact noncombustible floors, interior walls, and other noncombustible structures or supports, but it shall not be in contact for more than 50 percent of its surface area for each linear foot of contact length.

4.4.2 Where duct contact must exceed the requirements of 4.4.1, the duct shall be protected from corrosion.

4.4.3 Where the duct is listed for zero clearance to combustibles or is otherwise protected with a material or product listed for the purpose of reducing clearance to zero, the duct

shall be permitted to exceed the contact limits of 4.4.1 without additional corrosion protection.

4.4.4 Where the duct is listed for zero clearance to combustibles, the duct shall be permitted to exceed the contact limits of 4.4.1 without additional corrosion protection.

4.5 Duct Clearances to Enclosures. Clearances between the duct and interior surfaces of enclosures shall meet the requirements of Section 4.2.

4.6 Drawings. A drawing(s) of the exhaust system installation along with copies of operating instructions for subassemblies and components used in the exhaust system, including electrical schematics, shall be kept on the premises.

4.7 Authority Having Jurisdiction Notification. If required by the authority having jurisdiction, notification in writing shall be given of any alteration, replacement, or relocation of any exhaust or extinguishing system or part thereof or cooking equipment.

4.8 Materials.

4.8.1 Noncombustible Material.

4.8.1.1* A material that complies with any of the following shall be considered a noncombustible material:

- (1)*The material, in the form in which it is used, and under the conditions anticipated, will not ignite, burn, support combustion, or release flammable vapors when subjected to fire or heat
- (2) The material is reported as passing ASTM E 136, *Standard Test Method for Behavior of Materials in a Vertical Tube Furnace at 750 Degrees C*
- (3) The material is reported as complying with the pass/fail criteria of ASTM E 136 when tested in accordance with the test method and procedure in ASTM E 2652, *Standard Test Method for Behavior of Materials in a Tube Furnace with a Cone-shaped Airflow Stabilizer, at 750 Degrees C*

[5000:7.1.4.1.1]

4.8.1.2 Where the term *limited-combustible* is used in this [standard], it shall also include the term *noncombustible*. [5000:7.1.4.1.2]

4.8.2 Limited-Combustible Material. A material shall be considered a limited-combustible material where both of the conditions of 4.8.2.1, and 4.8.2.2, and the conditions of either 4.8.2.3 or 4.8.2.4 are met. [5000:7.1.4.2]

4.8.2.1 The material does not comply with the requirements for a noncombustible material, in accordance with 4.8.1.1. [5000:7.1.4.2(1)]

4.8.2.2 The material, in the form in which it is used, exhibits a potential heat value not exceeding 3500 Btu/lb (8141 kJ/kg), when tested in accordance with NFPA 259, *Standard Test Method for Potential Heat of Building Materials*. [5000:7.1.4.2(2)]

4.8.2.3 The material shall have a structural base of a noncombustible material with a surfacing not exceeding a thickness of 1/8 in. (3.2 mm) where the surfacing exhibits a flame spread index not greater than 50 when tested in accordance with ASTM E 84, *Standard Test Method for Surface Burning Characteristics of Building Materials*, or ANSI/UL 723, *Standard for Test for Surface Burning Characteristics of Building Materials*. [5000:7.1.4.2.1]

4.8.2.4 The material shall be composed of materials that, in the form and thickness used, neither exhibit a flame spread index greater than 25 nor evidence of continued progressive combustion when tested in accordance with ASTM E 84 or ANSI/UL 723 and are of such composition that all surfaces that would be exposed by cutting through the material on any plane would neither exhibit a flame spread index greater than 25 nor exhibit evidence of continued progressive combustion when tested in accordance with ASTM E 84 or ANSI/UL 723. [5000:7.1.4.2.2]

4.8.2.5 Where the term *limited-combustible* is used in this [standard], it shall also include the term noncombustible. [5000:7.1.4.2.3]

Chapter 5 Hoods

5.1 Construction.

5.1.1 The hood or that portion of a primary collection means designed for collecting cooking vapors and residues shall be constructed of and be supported by steel not less than 1.21 mm (0.048 in.) (No. 18 MSG) in thickness, stainless steel not less than 0.91 mm (0.036 in.) (No. 20 MSG) in thickness, or other approved material of equivalent strength and fire and corrosion resistance.

5.1.2 All seams, joints, and penetrations of the hood enclosure that direct and capture grease-laden vapors and exhaust gases shall have a liquidtight continuous external weld to the hood's lower outermost perimeter.

5.1.3 Seams, joints, and penetrations of the hood shall be permitted to be internally welded, provided that the weld is formed smooth or ground smooth, so as to not trap grease, and is cleanable.

5.1.4* Internal hood joints, seams, filter support frames, and appurtenances attached inside the hood shall be sealed or otherwise made greasetight.

5.1.5 Penetrations shall be permitted to be sealed by devices that are listed for such use and whose presence does not detract from the hood's or duct's structural integrity.

5.1.6 Listed exhaust hoods with or without exhaust dampers shall be permitted to be constructed of materials required by the listing.

5.1.7 Listed exhaust hoods with or without exhaust dampers shall be permitted to be assembled in accordance with the listing requirements.

5.1.8 Eyebrow-Type Hoods.

5.1.8.1 Eyebrow-type hoods over gas or electric ovens shall be permitted to have a duct constructed as required in Chapter 7 from the oven flue(s) connected to the hood canopy upstream of the exhaust plenum, as shown in Figure 5.1.8.1.

5.1.8.2 The duct connecting the oven flue(s) to the hood canopy shall be connected with a continuous weld or have a duct-to-duct connection. [See Figure 8.1.3.2(b) through Figure 8.1.3.2(d).]

5.1.9 Insulation materials other than electrical insulation shall have a flame spread index of 25 or less, when tested in accordance with ASTM E 84 or ANSI/UL 723.

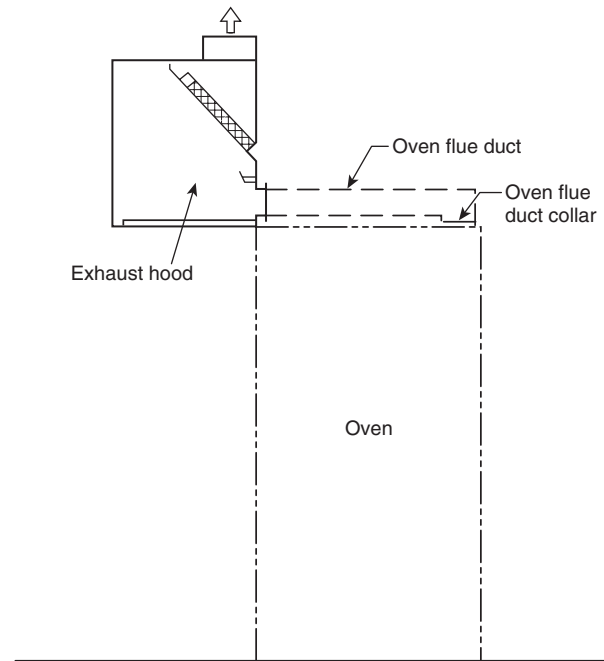


FIGURE 5.1.8.1 Typical Section of Eyebrow-Type Hood.

5.1.10 Adhesives or cements used in the installation of insulating materials shall comply with the requirements of 5.1.9 when tested with the specific insulating material.

5.1.11 Penetrations shall be sealed with listed devices in accordance with the requirements of 5.1.12.

5.1.12 Devices that require penetration of the hood, such as pipe and conduit penetration fittings and fasteners, shall be listed in accordance with ANSI/UL 1978.

5.1.13 Wall-mounted exhaust hood assemblies shall be tight fitting against the back wall so as to not permit passage of grease vapor behind the hood or between the back wall and the hood assembly.

5.2 Hood Size. Hoods shall be sized and configured to provide for the capture and removal of grease-laden vapors. (See 8.2.2.)

5.3 Exhaust Hood Assemblies with Integrated Supply Air Plenums.

5.3.1 The construction and size of exhaust hood assemblies with integrated supply air plenums shall comply with the requirements of Sections 5.1 and 5.2.

5.3.2 The construction of the outer shell or the inner exhaust shell shall comply with Section 5.1.

5.3.3 Where the outer shell is welded, the inner shell shall be of greasetight construction.

5.3.4* Fire Dampers.

5.3.4.1 A fire-actuated damper shall be installed in the supply air plenum at each point where a supply air duct inlet or a supply air outlet penetrates the continuously welded shell of the assembly.

5.3.4.2 The fire damper shall be listed for such use or be part of a listed exhaust hood with or without exhaust damper.

5.3.4.3 The actuation device shall have a maximum temperature rating of 141°C (286°F).

5.3.4.4 Supply air plenums that discharge air from the face rather than from the bottom or into the exhaust hood and that are isolated from the exhaust hood by the continuously welded shell extending to the lower outermost perimeter of the entire hood assembly shall not require a fire-actuated damper. (See diagram A in Figure A.5.3.4.)

5.4* Listed Hood Assemblies.

5.4.1 Listed hood assemblies shall be installed in accordance with the terms of their listing and the manufacturer's instructions.

5.4.2 Listed hood assemblies shall be tested in accordance with UL 710 or equivalent.

5.5 Listed Ultraviolet Hoods. Listed ultraviolet hoods shall be installed and maintained in accordance with the terms of their listing and the manufacturer's instructions.

5.5.1 Duct systems connected to ultraviolet hoods shall comply with Chapter 7.

5.5.2 Ultraviolet hoods shall be tested and listed in accordance with UL 710 and UL 710C.

5.6 Listed Ventilated Ceiling Technology. Listed ventilated ceiling technology shall be installed and maintained in accordance with the terms of its listing and the manufacturer's instructions.

Chapter 6 Grease Removal Devices in Hoods

6.1 Grease Removal Devices.

6.1.1 Listed grease filters or other listed grease removal devices intended for use with commercial cooking operations shall be provided.

6.1.2 Listed grease filters and grease removal devices that are removable but not an integral component of a specific listed exhaust hood shall be listed in accordance with ANSI/UL 1046.

6.1.3 Mesh filters shall not be used unless evaluated as an integral part of a listed exhaust hood or listed in conjunction with a primary filter in accordance with ANSI/UL 1046.

6.2 Installation.

6.2.1 Separation Distance.

6.2.1.1 The distance between the grease removal device and the cooking surface shall be as great as possible but not less than 457 mm (18 in.).

6.2.1.2 Where grease removal devices are used in conjunction with charcoal or charcoal-type broilers, including gas or electrically heated charbroilers, a minimum vertical distance of 1.22 m (4 ft) shall be maintained between the lower edge of the grease removal device and the cooking surface.

6.2.1.3 For cooking equipment without exposed flame and where flue gases bypass grease removal devices, the minimum vertical distance shall be permitted to be reduced to not less than 152 mm (6 in.).

6.2.1.4 Where a grease removal device is listed for separation distances less than those required in 6.2.1.1 and 6.2.1.2, the listing requirements shall be permitted.

6.2.1.5 Grease removal devices supplied as part of listed hood assemblies shall be installed in accordance with the terms of the listing and the manufacturer's instructions.

6.2.2 Grease Removal Device Protection.

6.2.2.1* Where the distance between the grease removal device and the appliance flue outlet (heat source) is less than 457 mm (18 in.), grease removal devices shall be protected from combustion gas outlets and from direct flame impingement occurring during normal operation of cooking appliances producing high flue gas temperatures.

6.2.2.2* This protection shall be permitted to be accomplished by the installation of a steel or stainless steel baffle plate between the heat source and the grease removal device.

6.2.2.3 The baffle plate shall be sized and located so that flames or combustion gases travel a distance not less than 457 mm (18 in.) from the heat source to the grease removal device.

6.2.2.4 The baffle shall be located not less than 152 mm (6 in.) from the grease removal device.

6.2.3 Grease Filters.

6.2.3.1 Grease filters shall be listed.

6.2.3.2 Grease filters shall be constructed of noncombustible material.

6.2.3.3 Grease filters shall be of rigid construction that will not distort or crush under normal operation, handling, and cleaning conditions.

6.2.3.4 Grease filters shall be arranged so that all exhaust air passes through the grease filters.

6.2.3.5 Grease filters shall be easily accessible for removal.

6.2.3.6 Grease filters shall be installed at an angle not less than 45 degrees from the horizontal.

6.2.4 Grease Drip Trays.

6.2.4.1 Grease filters shall be equipped with a grease drip tray beneath their lower edges.

6.2.4.2 Grease drip trays shall be kept to the minimum size needed to collect grease.

6.2.4.3 Grease drip trays shall be pitched to drain into an enclosed metal container having a capacity not exceeding 3.8 L (1 gal).

6.2.5 Grease Filter Orientation. Grease filters that require a specific orientation to drain grease shall be clearly so designated, or the hood shall be constructed so that filters cannot be installed in the wrong orientation.

Chapter 7 Exhaust Duct Systems

7.1 General.

7.1.1 Ducts shall not pass through fire walls.

7.1.2* All ducts shall lead directly to the exterior of the building, so as not to unduly increase any fire hazard.

7.1.3 Duct systems shall not be interconnected with any other building ventilation or exhaust system.

7.1.4 All ducts shall be installed with a minimum 2 percent slope on horizontal runs up to 22.86 m (75 ft) and a minimum 8 percent slope on horizontal runs greater than 22.86 m (75 ft).

7.1.4.1 Factory-built grease ducts shall be permitted to be installed in accordance with the listing and the manufacturer's instructions.

7.1.4.2 All horizontal ducts shall be provided with access in accordance with 7.4.1.

7.1.4.3* Drains shall be provided at low points in horizontal ducts.

7.1.4.3.1 Where provided, drains shall be continuously welded to the exhaust duct or listed grease duct drains, in accordance with the terms of the listing and the manufacturer's installation manual.

7.1.4.4 All ducts shall be installed without forming dips or traps.

7.1.4.5 In manifold (common duct) systems, the lowest end of the main duct shall be connected flush on the bottom with the branch duct.

7.1.4.6 Exhaust ducts used in downdraft appliance ventilation systems shall be allowed to include an upturn in the duct provided the trapped area contains a low point drain to an approved grease reservoir not exceeding 3.8 L (1 gal) in capacity and the entire length of the duct is easily accessible for cleaning.

7.1.5 Openings required for accessibility shall comply with Section 7.3.

7.1.6 A sign stating the following shall be placed on all access panels:

ACCESS PANEL — DO NOT OBSTRUCT

7.1.7 Listed grease ducts shall be installed in accordance with the terms of the listing and the manufacturer's instructions.

7.2 Clearance. Clearance between ducts and combustible materials shall be provided in accordance with the requirements of Section 4.2.

7.2.1 Where single-wall ductwork penetrates a non-fire-rated roof assembly, the penetration point shall be of limited-combustible or noncombustible construction unless a field-applied grease duct enclosure is installed to the top of the roof curb or the clearances of Section 4.2 are maintained.

7.3 Openings.

7.3.1 Openings shall be provided at the sides or at the top of the duct, whichever is more accessible, and at changes of direction.

7.3.2 Openings shall be protected by approved access constructed and installed in accordance with the requirements of 7.4.4.

7.3.3 Openings shall not be required in portions of the duct that are accessible from the duct entry or discharge.

7.3.4 For hoods with dampers in the exhaust or supply collar, an access panel for cleaning and inspection shall be provided in the duct or the hood within 457 mm (18 in.) of the damper.

7.3.5 For common exhaust duct systems, access panel openings shall be provided for installation and servicing of the fire-extinguishing system.

7.3.6 Access panel openings shall not be required in portions of the common exhaust duct or branch duct that are accessible from the branch duct connection to the exhaust hood.

7.3.7 Exhaust fans with ductwork connected to both sides shall have access for cleaning and inspection within 0.92 m (3 ft) of each side of the fan.

7.3.8 Wall-mounted exhaust fans shall have access for cleaning and inspection within 0.92 m (3 ft) of the exhaust fan.

7.4 Openings in Ducts. All openings shall comply with the requirements of this section.

7.4.1 Horizontal Ducts.

7.4.1.1 On horizontal ducts, at least one 508 mm × 508 mm (20 in. × 20 in.) opening shall be provided for personnel entry.

7.4.1.2 Where an opening of the size specified in 7.4.1.1 is not possible, openings large enough to permit thorough cleaning shall be provided at 3.7 m (12 ft) intervals.

7.4.1.3 If not easily accessible from a 3 m (10 ft) stepladder, openings on horizontal grease duct systems shall be provided with safe access and a work platform.

7.4.1.4 Support systems for horizontal grease duct systems 609 mm (24 in.) and larger in any cross-sectional dimension shall be designed for the weight of the ductwork plus 363 kg (800 lb) at any point in the duct systems.

7.4.1.5 On nonlisted ductwork, the edge of the opening shall be not less than 38.1 mm (1½ in.) from all outside edges of the duct or welded seams.

7.4.2 Vertical Ducts.

7.4.2.1 On vertical ductwork where personnel entry is possible, access shall be provided at the top of the vertical riser to accommodate descent.

7.4.2.2 Where personnel entry is not possible, adequate access for cleaning shall be provided on each floor.

7.4.2.3 If not easily accessible from the floor or a 3 m (10 ft) stepladder, openings on vertical grease ducts shall be provided with safe access and a work platform.

7.4.2.4 On nonlisted ductwork, the edge of the opening shall be not less than 38.1 mm (1½ in.) from all outside edges of the duct or welded seams.

7.4.3 Access Panels.

7.4.3.1 Access panels shall be of the same material and thickness as the duct.

7.4.3.2 Access panels shall have a gasket or sealant that is rated for 815.6°C (1500°F) and shall be greasetight.

7.4.3.3 Fasteners, such as bolts, weld studs, latches, or wing nuts, used to secure the access panels shall be carbon steel or stainless steel and shall not penetrate duct walls.

7.4.3.4 Listed grease duct access door assemblies (access panels) shall be installed in accordance with the terms of the listing and the manufacturer's instructions.

7.4.4 Protection of Openings.

7.4.4.1 Openings for installation, servicing, and inspection of listed fire protection system devices and for duct cleaning shall be provided in ducts and enclosures and shall conform to the requirements of Section 7.3 and 7.7.4.

7.4.4.2 Enclosure openings required to reach access panels in the ductwork shall be large enough for removal of the access panel through the enclosure opening.

7.5 Other Grease Ducts. Other grease ducts shall comply with the requirements of this section.

7.5.1* Materials.

7.5.1.1 Ducts shall be constructed of and supported by carbon steel not less than 1.52 mm (0.060 in.) (No. 16 MSG) in thickness or stainless steel not less than 1.21 mm (0.048 in.) (No. 18 MSG) in thickness.

7.5.1.2 Factory-built grease ducts listed in accordance with ANSI/UL 1978 shall be permitted to use materials in accordance with their listing.

7.5.2 Installation.

7.5.2.1 All seams, joints, penetrations, and duct-to-hood collar connections shall have a liquidtight continuous external weld.

7.5.2.1.1 Factory-built grease ducts listed in accordance with ANSI/UL 1978 shall be permitted to incorporate nonwelded joint construction in accordance with their listings.

7.5.2.1.2* Prior to the use of or concealment of any portion of a grease duct system, a leakage test shall be performed to determine that all welded joints and seams are liquidtight.

7.5.2.2 Duct-to-hood collar connections as shown in Figure 7.5.2.2 shall not require a liquidtight continuous external weld.

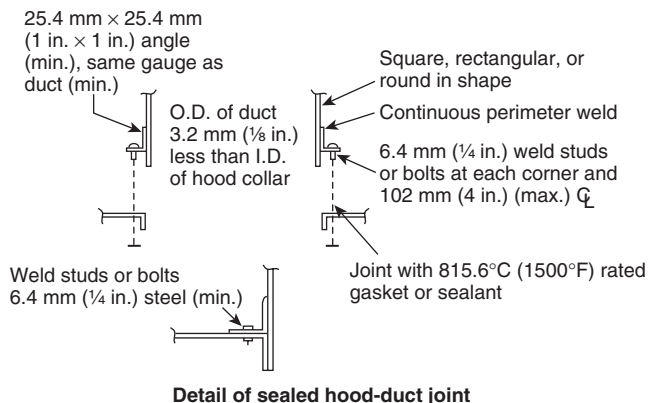
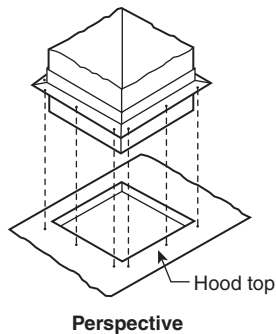


FIGURE 7.5.2.2 Permitted Duct-to-Hood Collar Connection.

7.5.2.3 Penetrations shall be permitted to be sealed by other listed devices that are tested to be greasetight and are evaluated under the same conditions of fire severity as the hood or enclosure of listed grease extractors and whose presence does not detract from the hood's or duct's structural integrity.

7.5.2.4 Internal welding shall be permitted, provided the joint is formed or ground smooth and is readily accessible for inspection.

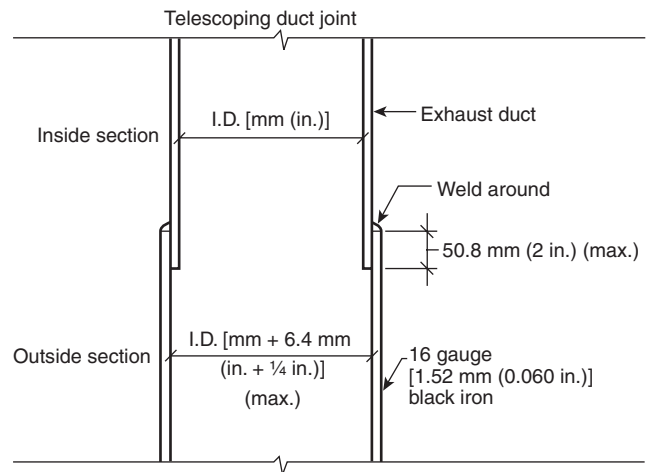
7.5.3 Penetrations shall be sealed with listed devices in accordance with the requirements of 7.5.4.

7.5.4 Devices that require penetration of the ductwork, such as pipe and conduit penetration fittings and fasteners, shall be listed in accordance with ANSI/UL 1978.

7.5.5 Welded Duct Connections.

7.5.5.1 Acceptable duct-to-duct connection shall be as follows:

- (1) Telescoping joint, as shown in Figure 7.5.5.1 (a)
- (2) Bell-type joint, as shown in Figure 7.5.5.1 (b)
- (3) Flange with edge weld, as shown in Figure 7.5.5.1 (c)
- (4) Flange with filled weld, as shown in Figure 7.5.5.1 (d)



Notes:

1. Duct size decreases (going upward) with each telescope.
2. Smaller (inside) duct section is always above or uphill (on sloped duct), to be self-draining into larger (outside) duct.

FIGURE 7.5.5.1(a) Telescoping-Type Duct Connection.

7.5.5.2 Butt-welded connections shall not be permitted.

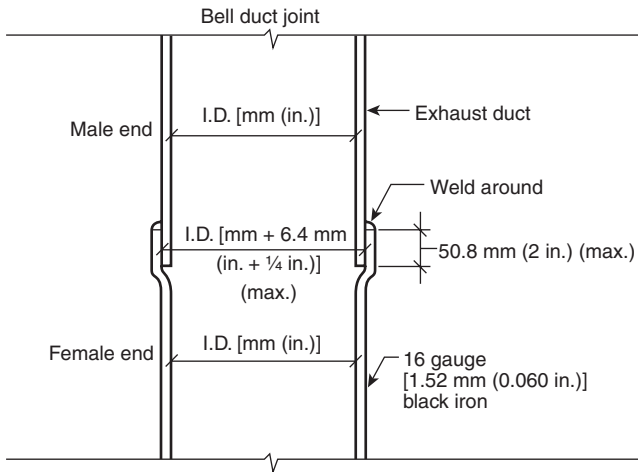
7.5.5.3 For telescoping and bell-type connections, the inside duct section shall always be uphill of the outside duct section.

7.5.5.4 For telescoping and bell-type connections, the difference between the inside dimensions of overlapping sections shall not exceed 6.4 mm (1/4 in.).

7.5.5.5 For telescoping and bell-type connections, the overlap shall not exceed 50.8 mm (2 in.).

7.6 Exterior Installations.

7.6.1 The exterior portion of the ductwork shall be vertical wherever possible and shall be installed and supported on the exterior of a building.



Notes:

1. Duct size stays the same throughout the duct system.
2. Smaller (inside) male duct end is always above or uphill (on sloped duct), to be self-draining into larger (outside) female duct end.

FIGURE 7.5.5.1(b) Bell-Type Duct Connection.

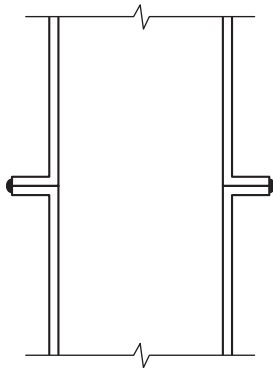


FIGURE 7.5.5.1(c) Flange with Edge Weld.

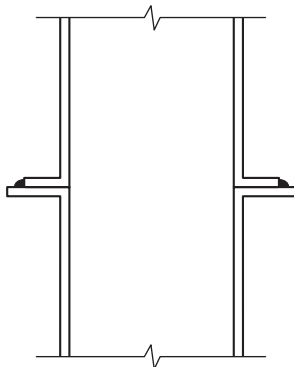


FIGURE 7.5.5.1(d) Flange with Filled Weld.

7.6.2 Bolts, screws, rivets, and other mechanical fasteners shall not penetrate duct walls.

7.6.3 Clearance of ducts shall comply with Section 4.2.

7.6.4 All ducts shall be protected on the exterior by paint or other suitable weather-protective coating.

7.6.5 Ducts constructed of stainless steel shall not be required to have additional paint or weather-protective coatings.

7.6.6 Ductwork subject to corrosion shall have minimal contact with the building surface.

7.7 Interior Installations.

7.7.1 Duct Enclosures.

7.7.1.1 In all buildings where vertical fire barriers are penetrated, the ducts shall be enclosed in a continuous enclosure extending from the first penetrated fire barrier and any subsequent fire barriers or concealed spaces to or through the exterior, to maintain the fire resistance rating of the highest fire barrier penetrated.

7.7.1.2 In all buildings more than one story in height and in one-story buildings where the roof-ceiling assembly is required to have a fire resistance rating, the ducts shall be enclosed in a continuous enclosure extending from the lowest fire-rated ceiling or floor above the hood, through any concealed spaces, to or through the roof, to maintain the integrity of the fire separations required by the applicable building code provisions.

7.7.1.3 The enclosure shall be sealed around the duct at the point of penetration of the first fire-rated barrier after the hood, to maintain the fire resistance rating of the enclosure.

7.7.1.4 The enclosure shall be vented to the exterior of the building through weather-protected openings.

7.7.1.5 The continuous enclosure provisions shall not be required where a field-applied grease duct enclosure or a factory-built grease duct enclosure (see Section 4.3) is protected with a listed duct-through-penetration protection system equivalent to the fire resistance rating of the assembly being penetrated and where the materials are installed in accordance with the conditions of the listing and the manufacturer's instructions and are acceptable to the authority having jurisdiction.

7.7.2 Enclosure Fire Resistance Rating and Enclosure Clearance.

7.7.2.1 Fire Resistance Rating.

7.7.2.1.1 Buildings less than four stories in height shall have an enclosure with a fire resistance rating of not less than 1 hour.

7.7.2.1.2 Buildings four stories or more in height shall have an enclosure with a fire resistance rating of not less than 2 hours.

7.7.2.2* Enclosure Clearance.

7.7.2.2.1 Clearance from the duct or the exhaust fan to the interior surface of enclosures of combustible construction shall be not less than 457 mm (18 in.).

7.7.2.2.2 Clearance from the duct to the interior surface of enclosures of noncombustible or limited-combustible construction shall be not less than 152 mm (6 in.).

7.7.2.2.3 Provisions for reducing clearances as described in Section 4.2 shall not be applicable to enclosures.

7.7.2.2.4 Clearance from the outer surfaces of field-applied grease duct enclosures and factory-built grease duct enclosures to the interior surfaces of construction installed around them shall be permitted to be reduced where the field-applied grease duct enclosure materials and factory-built grease

duct enclosures are installed in accordance with the conditions of the listing and the manufacturer's instructions and are acceptable to the authority having jurisdiction.

7.7.2.2.5 Field-applied grease duct enclosures and factory-built grease duct enclosures shall provide mechanical and structural integrity, resiliency, and stability when subjected to expected building environmental conditions, duct movement under general operating conditions, and duct movement as a result of interior and exterior fire conditions.

7.7.3 Protection of Coverings and Enclosure Materials.

7.7.3.1 Measures shall be taken to prevent physical damage to any covering or enclosure material.

7.7.3.2 Any damage to the covering or enclosure shall be repaired, and the covering or enclosure shall be restored to meet its intended listing and fire resistance rating and to be acceptable to the authority having jurisdiction.

7.7.3.3 In the event of a fire within a kitchen exhaust system, the duct, the enclosure, and the covering directly applied to the duct shall be inspected by qualified personnel to determine whether the duct, the enclosure, and the covering directly applied to the duct are structurally sound, capable of maintaining their fire protection functions, suitable for continued operation, and acceptable to the authority having jurisdiction.

7.7.3.4 Listed grease ducts shall be installed in accordance with the terms of the listing and the manufacturer's instructions.

7.7.4 Enclosure Openings.

7.7.4.1 Where openings in the enclosure walls are provided, they shall be protected by listed fire doors of proper rating.

7.7.4.2 Fire doors shall be installed in accordance with NFPA 80.

7.7.4.3 Openings on other listed materials or products shall be clearly identified and labeled according to the terms of the listing and the manufacturer's instructions and shall be acceptable to the authority having jurisdiction.

7.7.4.3.1 The markings specified in 7.7.4.3 shall be visible on the exterior of the enclosure and shall state the following:

ACCESS PANEL —
DO NOT OBSTRUCT

7.7.4.4 The fire door shall be readily accessible, aligned, and of sufficient size to allow access to the rated access panels on the ductwork.

7.7.5 Ducts with Enclosure(s).

7.7.5.1 Each duct system shall constitute an individual system serving only exhaust hoods in one fire zone on one floor.

7.7.5.2 Multiple ducts shall not be permitted in a single enclosure unless acceptable to the authority having jurisdiction.

7.8* Termination of Exhaust System.

7.8.1 The exhaust system shall terminate as follows:

- (1)*Outside the building with a fan or duct
- (2) Through the roof or to the roof from outside, as in 7.8.2, or through a wall, as in 7.8.3

7.8.2 Rooftop Terminations.

7.8.2.1 Rooftop terminations shall be arranged with or provided with the following:

- (1) A minimum of 3 m (10 ft) of horizontal clearance from the outlet to adjacent buildings, property lines, and air intakes
- (2) A minimum of 1.5 m (5 ft) of horizontal clearance from the outlet (fan housing) to any combustible structure
- (3) A vertical separation of 0.92 m (3 ft) below any exhaust outlets for air intakes within 3 m (10 ft) of the exhaust outlet
- (4) The ability to drain grease out of any traps or low points formed in the fan or duct near the termination of the system into a collection container that is noncombustible, closed, rainproof, and structurally sound for the service to which it is applied and that will not sustain combustion
- (5) A grease collection device that is applied to exhaust systems that does not inhibit the performance of any fan
- (6) Listed grease collection systems that meet the requirements of 7.8.2.1(4) and 7.8.2.1(5)
- (7) A listed grease duct complying with Section 4.4 or ductwork complying with Section 4.5
- (8) A hinged upblast fan supplied with flexible weatherproof electrical cable and service hold-open retainer to permit inspection and cleaning that is listed for commercial cooking equipment with the following conditions:
 - (a) Where the fan attaches to the ductwork, the ductwork is a minimum of 0.46 m (18 in.) away from any roof surface, as shown in Figure 7.8.2.1.
 - (b) The fan discharges a minimum of 1.02 m (40 in.) away from any roof surface, as shown in Figure 7.8.2.1.
- (9) Other approved fan, provided it meets all of the following criteria:
 - (a) The fan meets the requirements of 7.8.2.1(3) and 8.1.4.
 - (b) Its discharge or its extended duct discharge meets the requirements of 7.8.2.1(2). (See 8.1.4.)
 - (c) Exhaust fan discharge is directed up and away from the roof surface.

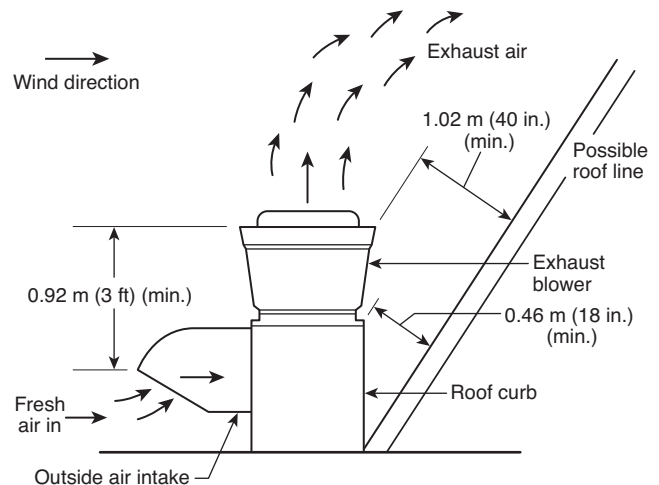


FIGURE 7.8.2.1 Upblast Fan Clearances.

7.8.2* Fans shall be provided with safe access and a work surface for inspection and cleaning.

7.8.3 Wall Terminations. Wall terminations shall be arranged with or provided with the following properties:

- (1) The termination shall be through a noncombustible wall with a minimum of 3 m (10 ft) of clearance from the outlet to adjacent buildings, property lines, grade level, combustible construction, electrical equipment or lines, and with the closest point of any air intake or operable door or window at or below the plane of the exhaust termination.
- (2) The closest point of any air intake or operable door or window above the plane of the exhaust termination shall be a minimum of 3 m (10 ft) in distance, plus 76 mm (3 in.) for each 1 degree from horizontal, the angle of degree being measured from the center of the exhaust termination to the center of the air intake or operable door or window, as indicated in Figure 7.8.3.
- (3) A wall termination in a secured area shall be permitted to be at a lower height above grade if acceptable to the authority having jurisdiction.
- (4) The exhaust flow shall be directed perpendicularly outward from the wall face or upward.
- (5) All the ductwork shall be pitched to drain the grease back into the hood(s) or with a drain provided to bring the grease back into a container within the building or into a remote grease trap.
- (6) A listed grease duct shall comply with Section 7.4; other ducts shall comply with Section 7.5.
- (7) An approved fan shall meet the requirements of 7.8.3(5) and of 8.1.2 or 8.1.4.

7.8.4* Rooftop Terminations Through Combustible or Limited-Combustible Walls.

7.8.4.1 Ductwork that exits a building through a combustible or limited-combustible wall to terminate above the roof line shall have wall protection provided in accordance with Section 4.2.

7.8.4.2 Where the ductwork exits the building, the opening shall be sealed and shall include a weather-protected vented opening.

7.8.4.3 Where the ductwork exits through a rated wall, the penetration shall be protected in accordance with 4.4.1.

Chapter 8 Air Movement

8.1 Exhaust Fans for Commercial Cooking Operations.

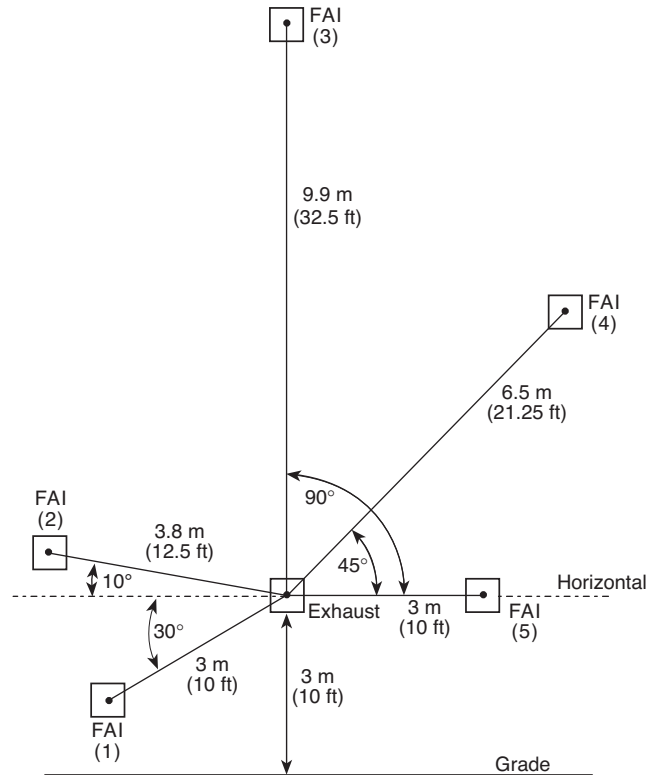
8.1.1 Fans used in exhaust systems for commercial cooking shall be listed in accordance with UL 762.

8.1.2* Upblast Exhaust Fans.

8.1.2.1 Upblast fans with motors surrounded by the airstream shall be hinged and supplied with flexible weatherproof electrical cable and service hold-open retainers.

8.1.2.2 Installation shall conform to the requirements of Section 7.8.

8.1.2.3 Upblast fans shall have a drain directed to a readily accessible and visible grease receptacle not to exceed 3.8 L (1 gal).



Notes:

1. Fresh air intake (FAI) applies to any air intake, including an operable door or window.
2. Examples:
 - (a) FAIs 1 and 5 are on the same plane of exhaust fan or lower: 3 m (10 ft) min. between closest edges.
 - (b) FAIs 2, 3, and 4 are above the plane of exhaust fan: 3 m + 76 mm (10 ft + 0.25 ft) per degree between closest edges.

FIGURE 7.8.3 Exhaust Termination Distance from Fresh Air Intake (FAI) or Operable Door or Window.

8.1.3* In-Line Exhaust Fans.

8.1.3.1 In-line fans shall be of the type with the motor located outside the airstream and with belts and pulleys protected from the airstream by a gasketed housing.

8.1.3.2 In-line fans shall be connected to the exhaust duct by flanges securely bolted as shown in Figure 8.1.3.2(a) through Figure 8.1.3.2(d) or by a system specifically listed for such use.

8.1.3.3 Flexible connectors shall not be used.

8.1.3.4 If the design or positioning of the fan allows grease to be trapped, a drain directed to a readily accessible and visible grease receptacle not exceeding 3.8 L (1 gal) shall be provided.

8.1.3.5 In-line exhaust fans shall be located in easily accessible areas of adequate size to allow for service or removal.

8.1.3.6 Where the duct system connected to the fan is in an enclosure, the space or room in which the exhaust fan is located shall have the same fire resistance rating as the enclosure.



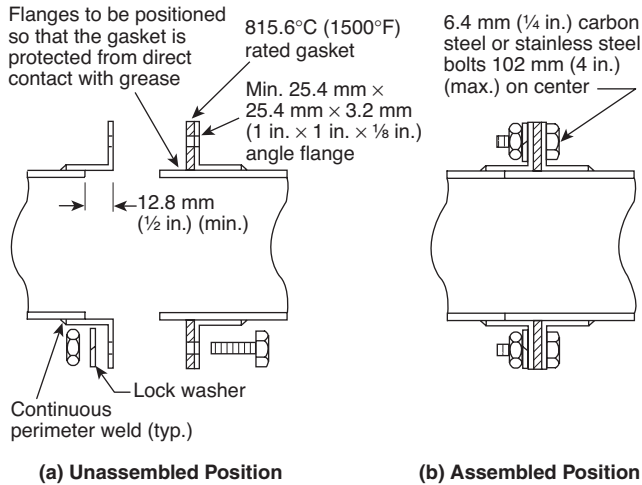


FIGURE 8.1.3.2(a) Typical Section of Duct-to-Fan Connection — Butt Joint Method.

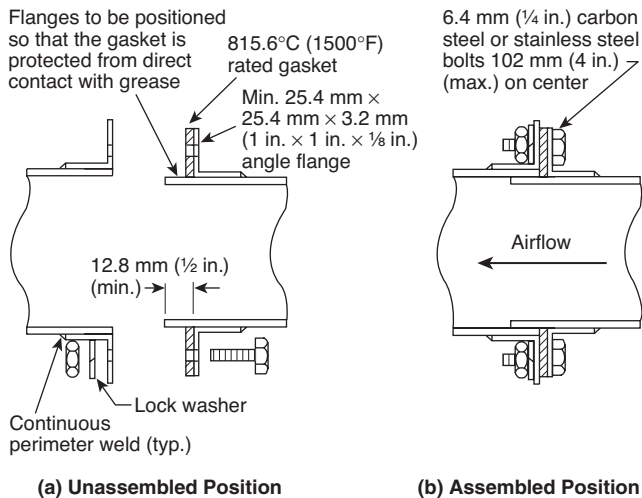


FIGURE 8.1.3.2(b) Typical Section of Duct-to-Fan Connection — Overlapping Method.

8.1.4* Utility Set Exhaust Fans.

8.1.4.1 Utility set exhaust fans, if installed at the rooftop termination point, shall meet the requirements of 7.8.2.1(1) through 7.8.2.1(3) and 7.8.2.2.

8.1.4.2 Fans installed within the building shall be located in an accessible area of adequate size to allow for service or removal.

8.1.4.3 Where the duct system connected to the fan is in an enclosure, the space or room in which the exhaust fan is located shall have the same fire resistance rating as the enclosure.

8.1.4.4 The fan shall be connected to the exhaust duct by flanges securely bolted as shown in Figure 8.1.3.2(a) through Figure 8.1.3.2(d) or by a system specifically listed for such use.

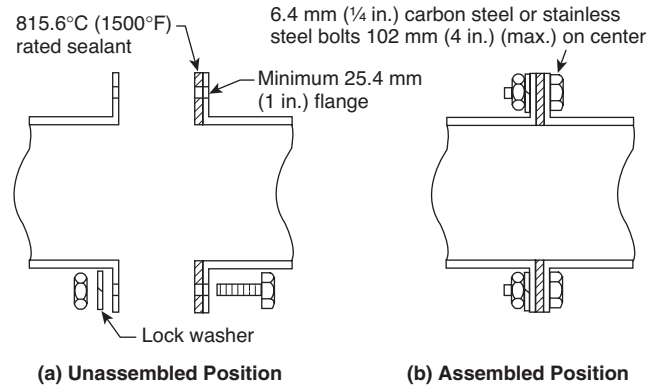


FIGURE 8.1.3.2(c) Typical Section of Duct-to-Fan Connection — Sealant Method.

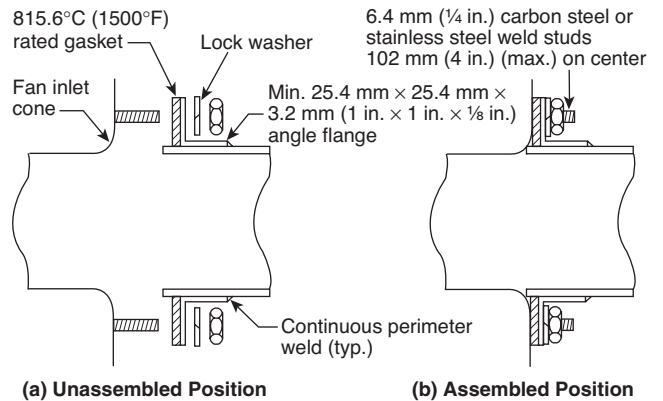


FIGURE 8.1.3.2(d) Typical Section of Duct-to-Fan Connection — Direct to Fan Inlet Cone Method.

8.1.4.5 Flexible connectors shall not be used.

8.1.4.6 Exhaust fans shall have a drain directed to a readily accessible and visible grease receptacle not to exceed 3.8 L (1 gal).

8.1.5 Exhaust Fan Housings. Exhaust fan housings shall be constructed of carbon steel not less than 1.52 mm (0.060 in.) (No. 16 MSG) in thickness, of stainless steel not less than 1.21 mm (0.048 in.) (No. 18 MSG) in thickness, or, if listed, in accordance with the terms of the listing.

8.1.6 Openings for Cleaning, Servicing, and Inspection.

8.1.6.1 Openings for cleaning, servicing, and inspection shall conform to the requirements of 7.3.7.

8.1.6.2 Clearances shall conform to the requirements of Section 4.2 or, if installed within an enclosure, to the requirements of 7.7.2.2.

8.1.6.3 Upblast Fans.

8.1.6.3.1 Upblast fans shall be supplied with an access opening of a minimum 76 mm by 127 mm (3 in. by 5 in.) or a circular diameter of 101 mm (4 in.) on the curvature of the outer fan housing to allow for cleaning and inspection of the fan blades.

8.1.6.3.2 On existing upblast fans where sufficient access is not available to allow for the removal of grease contamination, an approved hinge mechanism or access panel shall be installed.

8.1.7 Wiring and Electrical Equipment. All wiring and electrical equipment shall comply with *NFPA 70* (see also Chapter 9).

8.2 Airflow.

8.2.1 Air Velocity.

8.2.1.1* The air velocity through any duct shall be not less than 152.4 m/min (500 ft/min).

8.2.1.2 Transition duct sections that do not exceed 0.92 m (3 ft) in length and do not contain grease traps shall be permitted to be connected to hoods and exhaust fans that do not meet this velocity.

8.2.2 Air Volume.

8.2.2.1 Exhaust air volumes for hoods shall be of a sufficient level to provide for capture and removal of grease-laden cooking vapors.

8.2.2.2* Test data, performance tests acceptable to the authority having jurisdiction, or both shall be displayed, provided on request, or both.

8.2.2.3 Lower exhaust air volumes shall be permitted during no-load cooking conditions, provided they are sufficient to capture and remove flue gases and residual vapors from cooking equipment.

8.2.3 Exhaust Fan Operation.

8.2.3.1 A hood exhaust fan(s) shall continue to operate after the extinguishing system has been activated unless fan shutdown is required by a listed component of the ventilation system or by the design of the extinguishing system.

8.2.3.2 The hood exhaust fan shall not be required to start upon activation of the extinguishing system if the exhaust fan and all cooking equipment served by the fan have been shut down.

8.2.3.3 The exhaust fan shall be provided with a means so that the fan is activated when any appliance under the hood is turned on.

8.3* Replacement Air.

8.3.1 Replacement air quantity shall be adequate to prevent negative pressures in the commercial cooking area(s) from exceeding 4.98 Pa (0.02 in. water column).

8.3.2 When the fire-extinguishing system activates, makeup air supplied internally to a hood shall be shut off.

8.4 Common Duct (Manifold) Systems.

8.4.1* Master kitchen exhaust ducts that serve multiple tenants shall include provision to bleed air from outdoors or from adjacent spaces into the master exhaust duct where required to maintain the necessary minimum air velocity in the master exhaust duct.

8.4.2 Bleed air ducts shall connect to the top or side of the master exhaust duct.

8.4.3 The bleed air duct shall have a fire damper at least 304.8 mm (12 in.) from the exhaust duct connection.

8.4.4 The bleed air duct shall have the same construction and clearance requirements as the main exhaust duct from the

connection to the exhaust duct to at least 304.8 mm (12 in.) on both sides of the fire damper.

8.4.5 Each bleed air duct shall have a means of adjusting (e.g., by using volume dampers) the bleed air quantity.

8.4.6 Means to adjust the bleed air quantity shall be installed between the fire damper and the source of bleed air.

8.4.7 A bleed air duct shall not be used for the exhaust of grease-laden vapors and shall be so labeled.

8.4.8 Unused tenant exhaust connections to the master exhaust duct that are not used as bleed air connections shall be disconnected and sealed at the main duct.

Chapter 9 Auxiliary Equipment

9.1 Dampers.

9.1.1 Dampers shall not be installed in exhaust ducts or exhaust duct systems.

9.1.2 Where specifically listed for such use or where required as part of a listed device or system, dampers in exhaust ducts or exhaust duct systems shall be permitted.

9.2 Electrical Equipment.

9.2.1 Wiring systems of any type shall not be installed in ducts.

9.2.2 Motors, lights, and other electrical devices shall be permitted to be installed in ducts or hoods or to be located in the path of travel of exhaust products only where specifically listed for such use.

9.2.3 Lighting Units.

9.2.3.1 Lighting units in hoods shall be listed for use over commercial cooking appliances and installed in accordance with the terms of their listing.

9.2.3.2 Lighting units on hoods shall not be located in concealed spaces except as permitted by 9.2.3.3 and 9.2.3.4.

9.2.3.3 Lighting units shall be permitted in concealed spaces where such units are part of a listed exhaust hood.

9.2.3.4 Listed lighting units specifically listed for such use and installed in accordance with the terms of the listing shall be permitted to be installed in concealed spaces.

9.2.4* All electrical equipment shall be installed in accordance with *NFPA 70*.

9.3 Other Equipment.

9.3.1 Fume incinerators, thermal recovery units, air pollution control devices, or other devices shall be permitted to be installed in ducts or hoods or to be located in the path of travel of exhaust products where specifically listed for such use.

9.3.1.1 Fume incinerators, thermal recovery units, air pollution control devices, and/or other devices installed in ducts or hoods shall comply with the following:

- (1) The clearance requirements of Section 4.2
- (2) Hood construction requirements in Section 5.1
- (3) Exhaust duct construction complying with Chapter 7
- (4) Simultaneous operation requirements in 10.3.1



- (5) Access panels or doors complying with Chapter 7
 (6) In-line fans complying with 8.1.3.1

9.3.1.2 Equipment listed for reduced clearances shall be listed in accordance with ANSI/UL 1978.

9.3.1.3 Equipment shall have space provided to all access panels or doors for the safe removal and servicing of control devices, such as filters, electrostatic precipitator cells, and odor control media beds, and for cleaning of the equipment housing.

9.3.2 Downgrading other parts of the exhaust system due to the installation of approved devices, whether listed or not, shall not be allowed.

9.3.3 Any equipment, listed or otherwise, that provides secondary filtration or air pollution control and that is installed in the path of travel of exhaust products shall be provided with an approved automatic fire-extinguishing system, installed in accordance with the fire-extinguishing system manufacturer's instructions, for the protection of the component sections of the equipment, and shall include protection of the ductwork downstream of the equipment, whether or not the equipment is provided with a damper.

9.3.3.1 Filter media used in secondary filtration or air pollution control units and not complying with 6.2.3 shall have fire protection that is adequate for the filter media being used in accordance with the fire-extinguishing system manufacturer's instructions.

9.3.4 If the equipment provides a source of ignition, it shall be provided with detection to operate the fire-extinguishing system protecting the equipment.

9.3.5 Where a cooking exhaust system employs an air pollution control device that recirculates air into the building, the requirements of Chapter 13 shall apply.

9.3.6 Equipment commissioning report(s) shall be provided for other equipment installed.

Chapter 10 Fire-Extinguishing Equipment

10.1 General Requirements.

10.1.1 Fire-extinguishing equipment for the protection of grease removal devices, hood exhaust plenums, and exhaust duct systems shall be provided.

10.1.2* Cooking equipment that produces grease-laden vapors and that might be a source of ignition of grease in the hood, grease removal device, or duct shall be protected by fire-extinguishing equipment.

10.2 Types of Equipment.

10.2.1 Fire-extinguishing equipment shall include both automatic fire-extinguishing systems as primary protection and portable fire extinguishers as secondary backup.

10.2.2* A placard shall be conspicuously placed near each extinguisher that states that the fire protection system shall be activated prior to using the fire extinguisher.

10.2.2.1 The language and wording for the placard shall be approved by the authority having jurisdiction.

10.2.3* Automatic fire-extinguishing systems shall comply with ANSI/UL 300 or other equivalent standards and shall be installed in accordance with the requirements of the listing.

10.2.3.1* In existing dry or wet chemical systems not in compliance with ANSI/UL 300, the fire-extinguishing system shall be made to comply with 10.2.3 when any of the following occurs:

- (1) The cooking medium is changed from animal oils and fats to vegetable oils.
- (2) The positioning of the cooking equipment is changed.
- (3) Cooking equipment is replaced.
- (4) The equipment is no longer supported by the manufacturer.

10.2.3.2 Effective January 1, 2014, all existing fire-extinguishing systems shall meet the requirements of 10.2.3.

10.2.4 Grease removal devices, hood exhaust plenums, exhaust ducts, and cooking equipment that are not addressed in ANSI/UL 300 or other equivalent test standards shall be protected with an automatic fire-extinguishing system(s) in accordance with the applicable NFPA standard(s), all local building and fire codes, and the fire extinguishing system's manufacturer's recommendations and shall be approved by the authority having jurisdiction.

10.2.5 Automatic fire-extinguishing equipment provided as part of listed recirculating systems shall comply with ANSI/UL 710B.

10.2.6 Automatic fire-extinguishing systems shall be installed in accordance with the terms of their listing, the manufacturer's instructions, and the following standards where applicable:

- (1) NFPA 12
- (2) NFPA 13
- (3) NFPA 17
- (4) NFPA 17A
- (5) NFPA 750

10.2.7 Modifications to Existing Hood Systems.

10.2.7.1 Any abandoned pipe or conduit from a previous installation shall be removed from within the hood, plenum, and exhaust duct.

10.2.7.2 Penetrations and holes resulting from the removal of conduit or piping shall be sealed with listed or equivalent liquidtight sealing devices.

10.2.7.3 The addition of obstructions to spray patterns from the cooking appliance nozzle(s) such as baffle plates, shelves, or any modification shall not be permitted.

10.2.7.4 Changes or modifications to the hazard after installation of the fire-extinguishing systems shall result in re-evaluation of the system design by a properly trained, qualified, and certified person(s).

10.2.8 Fixed Baffle Hoods with Water Wash.

10.2.8.1 Grease removal devices, hood exhaust plenums, and exhaust ducts requiring protection in accordance with 10.1.1 shall be permitted to be protected by a listed fixed baffle hood containing a constant or fire-actuated water-wash system that is listed and in compliance with ANSI/UL 300 or other equivalent standards and shall be installed in accordance with the requirements of their listing.

10.2.8.2 Each such area not provided with a listed water-wash extinguishing system shall be provided with a fire-extinguishing system listed for the purpose.

10.2.8.3 The water for listed fixed baffle hood assemblies shall be permitted to be supplied from the domestic water supply when the minimum water pressure and flow are provided in accordance with the terms of the listing.

10.2.8.4 The water supply shall be controlled by a supervised water supply control valve.

10.2.8.5 The water wash in a fixed baffle hood specifically listed to extinguish a fire shall be activated by the cooking equipment extinguishing system.

10.2.8.6 A water-wash system approved to be used for protection of the grease removal device(s), hood exhaust plenum(s), exhaust duct(s), or combination thereof shall include instructions and appropriate electrical interface for simultaneous activation of the water-wash system from an automatic fire-extinguishing system, where the automatic fire-extinguishing system is used for cooking equipment protection only.

10.2.8.7 Where the fire-extinguishing system provides protection for the cooking equipment, hood, and duct, activation of the water wash shall not be required.

10.2.8.7.1 Where the automatic fire extinguishing system in accordance with NFPA 17A provides protection for the hood and duct in a fixed baffle hood containing a water-wash system, the water-wash system shall be made inoperable or delayed for a minimum of 60 seconds upon operation of the automatic fire-extinguishing system.

10.2.8.8 Grease removal devices, hood exhaust plenums, and exhaust ducts on fixed baffle hoods with water wash shall be permitted to be protected by a sprinkler system with an individual control valve if the design of the hood prevents the water from reaching the cooking appliances.

10.2.9 Water-Based Fire-Extinguishing System.

10.2.9.1 The water required for listed automatic fire-extinguishing systems shall be permitted to be supplied from the domestic water supply where the minimum water pressure and flow are provided in accordance with the terms of the listing. The water supply shall be controlled by a supervised water supply control valve.

10.2.9.2 Where the water supply is from a dedicated fire protection water supply in a building with one or more fire sprinkler systems, separate indicating control valves and drains shall be provided and arranged so that the hood system and sprinkler systems can be controlled individually.

10.2.10 Water Valve Supervision. Valves controlling the water supply to listed fixed baffle hood assemblies, automatic fire-extinguishing systems, or both shall be listed indicating type of valve and shall be supervised open by one of the following methods:

- (1) Central station, proprietary, or remote station alarm service
- (2) Local alarm service that will cause the sounding of an audible signal at a constantly attended point
- (3) Locking valves open
- (4)*Sealing of valves and approved weekly recorded inspection

10.3 Simultaneous Operation.

10.3.1 Fixed pipe extinguishing systems in a single hazard area (*see 3.3.44 for the definition of single hazard area*) shall be arranged for simultaneous automatic operation upon actuation of any one of the systems.

10.3.1.1 Hoods installed end to end, back to back, or both, or sharing a common ductwork, and having a grease-producing appliance(s) located under one or more of the hoods shall be considered a single hazard area requiring simultaneous automatic fire protection in all hoods and ducts.

10.3.1.2 Hoods installed end to end, back to back, or both that do not share a common exhaust and are separated by a wall(s) or other means to ensure that grease-laden vapors exhausted under one hood cannot propagate to the other hoods or exhaust systems shall not be required to comply with 10.3.1.1.

10.3.2 Simultaneous operation shall not be required where the one fixed pipe extinguishing system is an automatic sprinkler system.

10.3.2.1 Where an automatic sprinkler system is used in conjunction with a water-based fire-extinguishing system served by the same water supply, hydraulic calculations shall consider both systems operating simultaneously.

10.3.3 Simultaneous operation shall be required where a dry or wet chemical system is used to protect common exhaust ductwork by one of the methods specified in NFPA 17 or NFPA 17A.

10.4 Fuel and Electric Power Shutoff.

10.4.1 Upon activation of any fire-extinguishing system for a cooking operation, all sources of fuel and electrical power that produce heat to all equipment requiring protection by that system shall automatically shut off.

10.4.2 Steam supplied from an external source shall not be required to automatically shut off.

10.4.3 Any gas appliance not requiring protection but located under ventilating equipment where protected appliances are located shall be automatically shut off upon activation of the extinguishing system.

10.4.4 Shutoff devices shall require manual reset.

10.5 Manual Activation.

10.5.1 A readily accessible means for manual activation shall be located between 1067 mm and 1219 mm (42 in. and 48 in.) above the floor, be accessible in the event of a fire, be located in a path of egress, and clearly identify the hazard protected.

10.5.1.1 At least one manual actuation device shall be located a minimum of 3 m (10 ft) and a maximum of 6 m (20 ft) from the protected hood exhaust system(s) within a path of egress or at an alternative location acceptable to the AHJ.

10.5.1.2 Manual activation using a cable-operated pull station shall not require more than 178 N (40 lb) of force, with a pull movement not to exceed 356 mm (14 in.) to activate the automatic fire-extinguishing equipment.

10.5.2 The automatic and manual means of system activation external to the control head or releasing device shall be separate and independent of each other so that failure of one will not impair the operation of the other except as permitted by 10.5.3.

10.5.3 The manual means of system activation shall be permitted to be common with the automatic means if the manual activation device is located between the control head or releasing device and the first fusible link.

10.5.4 An automatic sprinkler system shall not require a manual means of system activation.

10.5.5 The means for manual activation shall be mechanical or rely on electrical power for activation in accordance with 10.5.6.

10.5.6 Electrical power shall be permitted to be used for manual activation if a standby power supply is provided or if supervision is provided in accordance with Section 10.7.

10.5.7 Instruction shall be provided to employees regarding the proper use of portable fire extinguishers and the manual activation of fire-extinguishing equipment.

10.6 System Annunciation.

10.6.1 Upon activation of an automatic fire-extinguishing system, an audible alarm or visual indicator shall be provided to show that the system has activated.

10.6.2 Where a fire alarm signaling system is serving the occupancy where the extinguishing system is located, the activation of the automatic fire-extinguishing system shall activate the fire alarm signaling system.

10.7 System Supervision.

10.7.1 Where electrical power is required to operate the fixed automatic fire-extinguishing system, the system shall be provided with a reserve power supply and be monitored by a supervisory alarm except as permitted in 10.7.2.

10.7.2 Where fixed automatic fire-extinguishing systems include automatic mechanical detection and actuation as a backup detection system, electrical power monitoring and a reserve power supply shall not be required.

10.7.3 System supervision shall not be required where a fire-extinguishing system(s) is interconnected or interlocked with the cooking equipment power source(s) so that if the fire-extinguishing system becomes inoperable due to power failure, all sources of fuel or electrical power that produce heat to all cooking equipment serviced by that hood shall automatically shut off.

10.7.4 System supervision shall not be required where an automatic fire-extinguishing system, including automatic mechanical detection and actuation, is electrically connected to a listed fire-actuated water-wash system for simultaneous operation of both systems.

10.8 Special Design and Application.

10.8.1 Hoods containing automatic fire-extinguishing systems are protected areas; therefore, these hoods are not considered obstructions to overhead sprinkler systems and shall not require floor coverage underneath.

10.8.2 A single detection device, listed with the extinguishing system, shall be permitted for more than one appliance where installed in accordance with the terms of the listing.

10.9 Review and Certification.

10.9.1 Where required, complete drawings of the system installation, including the hood(s), exhaust duct(s), and appliances, along with the interface of the fire-extinguishing system

detectors, piping, nozzles, fuel and electric power shutoff devices, agent storage container(s), and manual actuation device(s), shall be submitted to the authority having jurisdiction.

10.9.2* Installation Requirements.

10.9.2.1 Installation of systems shall be performed only by persons properly trained and qualified to install the specific system being provided.

10.9.2.2 The installer shall provide certification to the authority having jurisdiction that the installation is in agreement with the terms of the listing and the manufacturer's instructions and/or approved design.

10.10 Portable Fire Extinguishers.

10.10.1* Portable fire extinguishers shall be selected and installed in kitchen cooking areas in accordance with NFPA 10 and shall be specifically listed for such use.

10.10.2 Class K fire extinguishers shall be provided for cooking appliance hazards that involve combustible cooking media (vegetable oils and animal oils and fats).

10.10.3 Portable fire extinguishers shall be provided for other hazards in kitchen areas and shall be selected and installed in accordance with NFPA 10.

10.10.4 Portable fire extinguishers shall be maintained in accordance with NFPA 10.

Chapter 11 Procedures for the Use, Inspection, Testing, and Maintenance of Equipment

11.1 Operating Procedures.

11.1.1 Exhaust systems shall be operated whenever cooking equipment is turned on.

11.1.2 Filter-equipped exhaust systems shall not be operated with filters removed.

11.1.3 Openings provided for replacing air exhausted through ventilating equipment shall not be restricted by covers, dampers, or any other means that would reduce the operating efficiency of the exhaust system.

11.1.4 Instructions for manually operating the fire-extinguishing system shall be posted conspicuously in the kitchen and shall be reviewed with employees by the management.

11.1.5 Listed exhaust hoods shall be operated in accordance with the terms of their listings and the manufacturer's instructions.

11.1.6 Cooking equipment shall not be operated while its fire-extinguishing system or exhaust system is nonoperational or impaired.

11.1.6.1 Where the fire-extinguishing system or exhaust system is nonoperational or impaired, the system shall be tagged as noncompliant, the system owner or the owner's representative shall be notified in writing of the impairment, and, where required, the authority having jurisdiction shall be notified.

11.1.7 Secondary filtration and pollution control equipment shall be operated in accordance with the terms of its listing and the manufacturer's recommendations.

11.1.8 Inspection and maintenance of “other equipment” as allowed in 9.3.1 shall be conducted by properly trained and qualified persons at a frequency determined by the manufacturer’s instructions or the equipment listing.

11.2 Inspection, Testing, and Maintenance of Fire-Extinguishing Systems.

11.2.1* Maintenance of the fire-extinguishing systems and listed exhaust hoods containing a constant or fire-activated water system that is listed to extinguish a fire in the grease removal devices, hood exhaust plenums, and exhaust ducts shall be made by properly trained, qualified, and certified person(s) acceptable to the authority having jurisdiction at least every 6 months.

11.2.2* All actuation and control components, including remote manual pull stations, mechanical and electrical devices, detectors, and actuators, shall be tested for proper operation during the inspection in accordance with the manufacturer’s procedures.

11.2.3 The specific inspection and maintenance requirements of the extinguishing system standards as well as the applicable installation and maintenance manuals for the listed system and service bulletins shall be followed.

11.2.4* Fusible links of the metal alloy type and automatic sprinklers of the metal alloy type shall be replaced at least semiannually except as permitted by 11.2.6 and 11.2.7.

11.2.5 The year of manufacture and the date of installation of the fusible links shall be marked on the system inspection tag.

11.2.5.1 The tag shall be signed or initialed by the installer.

11.2.5.2 The fusible links shall be destroyed when removed.

11.2.6 Detection devices that are bulb-type automatic sprinklers and fusible links other than the metal alloy type shall be examined and cleaned or replaced annually.

11.2.7 Fixed temperature-sensing elements other than the fusible metal alloy type shall be permitted to remain continuously in service, provided they are inspected and cleaned or replaced if necessary in accordance with the manufacturer’s instructions, every 12 months or more frequently to ensure proper operation of the system.

11.2.8 Where required, certificates of inspection and maintenance shall be forwarded to the authority having jurisdiction.

11.3 Inspection of Fire Dampers.

11.3.1 Actuation components for fire dampers shall be inspected for proper operation in accordance with the manufacturer’s listed procedures.

11.3.2 Replacement of Fusible Links.

11.3.2.1 Fusible links on fire damper assemblies shall be replaced at least semiannually or more frequently as necessary.

11.3.2.2 Replacement shall be made by a certified person acceptable to the authority having jurisdiction.

11.3.3* Documentation Tag.

11.3.3.1 The year of manufacture and the date of installation of the fusible links shall be documented.

11.3.3.2 The tag shall be signed or initialed by the installer.

11.4* **Inspection for Grease Buildup.** The entire exhaust system shall be inspected for grease buildup by a properly trained,

qualified, and certified person(s) acceptable to the authority having jurisdiction and in accordance with Table 11.4.

Table 11.4 Schedule of Inspection for Grease Buildup

Type or Volume of Cooking	Inspection Frequency
Systems serving solid fuel cooking operations	Monthly
Systems serving high-volume cooking operations, such as 24-hour cooking, charbroiling, or wok cooking	Quarterly
Systems serving moderate-volume cooking operations	Semiannually
Systems serving low-volume cooking operations, such as churches, day camps, seasonal businesses, or senior centers	Annually

11.5 Inspection, Testing, and Maintenance of Listed Hoods Containing Mechanical, Water Spray, or Ultraviolet Devices.

Listed hoods containing mechanical or fire-actuated dampers, internal washing components, or other mechanically operated devices shall be inspected and tested by properly trained, qualified, and certified persons every 6 months or at frequencies recommended by the manufacturer in accordance with their listings.

11.6 Cleaning of Exhaust Systems.

11.6.1* If, upon inspection, the exhaust system is found to be contaminated with deposits from grease-laden vapors, the contaminated portions of the exhaust system shall be cleaned by a properly trained, qualified, and certified person(s) acceptable to the authority having jurisdiction.

11.6.2* Hoods, grease removal devices, fans, ducts, and other appurtenances shall be cleaned to remove combustible contaminants prior to surfaces becoming heavily contaminated with grease or oily sludge.

11.6.3 At the start of the cleaning process, electrical switches that could be activated accidentally shall be locked out.

11.6.4 Components of the fire suppression system shall not be rendered inoperable during the cleaning process.

11.6.5 Fire-extinguishing systems shall be permitted to be rendered inoperable during the cleaning process where serviced by properly trained and qualified persons.

11.6.6 Flammable solvents or other flammable cleaning aids shall not be used.

11.6.7 Cleaning chemicals shall not be applied on fusible links or other detection devices of the automatic extinguishing system.

11.6.8 After the exhaust system is cleaned, it shall not be coated with powder or other substance.

11.6.9 When cleaning procedures are completed, all access panels (doors) and cover plates shall be restored to their normal operational condition.

11.6.10 When an access panel is removed, a service company label or tag preprinted with the name of the company and giving the date of inspection or cleaning shall be affixed near the affected access panels.

11.6.11 Dampers and diffusers shall be positioned for proper airflow.

11.6.12 When cleaning procedures are completed, all electrical switches and system components shall be returned to an operable state.

11.6.13 When an exhaust cleaning service is used, a certificate showing the name of the servicing company, the name of the person performing the work, and the date of inspection or cleaning shall be maintained on the premises.

11.6.14 After cleaning or inspection is completed, the exhaust cleaning company and the person performing the work at the location shall provide the owner of the system with a written report that also specifies areas that were inaccessible or not cleaned.

11.6.15 Where required, certificates of inspection and cleaning and reports of areas not cleaned shall be submitted to the authority having jurisdiction.

11.7 Cooking Equipment Maintenance.

11.7.1 Inspection and servicing of the cooking equipment shall be made at least annually by properly trained and qualified persons.

11.7.2 Cooking equipment that collects grease below the surface, behind the equipment, or in cooking equipment flue gas exhaust, such as griddles or charbroilers, shall be inspected and, if found with grease accumulation, cleaned by a properly trained, qualified, and certified person acceptable to the authority having jurisdiction.

Chapter 12 Minimum Safety Requirements for Cooking Equipment

12.1 Cooking Equipment.

12.1.1* Cooking equipment shall be approved based on one of the following criteria:

- (1) Listings by a testing laboratory
- (2) Test data acceptable to the authority having jurisdiction

12.1.2 Installation.

12.1.2.1* All listed appliances shall be installed in accordance with the terms of their listings and the manufacturer's instructions.

12.1.2.1.1 Solid fuel used for flavoring within a gas-operated appliance shall be in a solid fuel holder (smoker box) that is listed with the equipment.

12.1.2.2* Cooking appliances requiring protection shall not be moved, modified, or rearranged without prior re-evaluation of the fire-extinguishing system by the system installer or servicing agent, unless otherwise allowed by the design of the fire-extinguishing system.

12.1.2.2.1 A solid fuel holder shall not be added to an existing appliance until the fire-extinguishing system has been evaluated by the fire-extinguishing system service provider.

12.1.2.3 The fire-extinguishing system shall not require re-evaluation where the cooking appliances are moved for the purposes of maintenance and cleaning, provided the appliances are returned to approved design location prior to cooking operations, and any disconnected fire-extinguishing system nozzles attached to the appliances are reconnected in accordance with the manufacturer's listed design manual.

12.1.2.3.1 An approved method shall be provided that will ensure that the appliance is returned to an approved design location.

12.1.2.4 All deep-fat fryers shall be installed with at least a 406 mm (16 in.) space between the fryer and surface flames from adjacent cooking equipment.

12.1.2.5 Where a steel or tempered glass baffle plate is installed at a minimum 203 mm (8 in.) in height between the fryer and surface flames of the adjacent appliance, the requirement for a 406 mm (16 in.) space shall not apply.

12.1.2.5.1 If the fryer and the surface flames are at different horizontal planes, the minimum height of 203 mm (8 in.) shall be measured from the higher of the two.

12.2 Operating Controls. Deep-fat fryers shall be equipped with a separate high-limit control in addition to the adjustable operating control (thermostat) to shut off fuel or energy when the fat temperature reaches 246°C (475°F) at 25.4 mm (1 in.) below the surface.

Chapter 13 Recirculating Systems

13.1 General Requirements. Recirculating systems containing or for use with appliances used in processes producing smoke or grease-laden vapors shall be equipped with components complying with the following:

- (1) The clearance requirements of Section 4.2
- (2) A hood complying with the requirements of Chapter 5
- (3) Grease removal devices complying with Chapter 6
- (4) The air movement requirements of 8.2.1.2 and 8.2.2.3
- (5) Auxiliary equipment (such as particulate and odor removal devices) complying with Chapter 9
- (6) Fire-extinguishing equipment complying with the requirements of Chapter 10 with the exception of 10.1.1 and 10.5.1, which shall not apply
- (7) The use and maintenance requirements of Chapter 11
- (8) The minimum safety requirements of Chapter 12
- (9) All the requirements of Chapter 13

13.2 Design Restrictions. All recirculating systems shall comply with the requirements of Section 13.2.

13.2.1 Only gas-fueled or electrically fueled cooking appliances shall be used.

13.2.2 Listed gas-fueled equipment designed for use with specific recirculating systems shall have the flue outlets connected in the intended manner.

13.2.3 Gas-fueled appliances shall have a minimum 457 mm (18 in.) clearance from the flue outlet to the filter inlet in accordance with 6.2.2 and shall meet the installation requirements of NFPA 54 or NFPA 58.

13.2.4 Recirculating systems shall be listed with a testing laboratory in accordance with ANSI/UL 710B or equivalent.

13.2.4.1 The recirculating system listing shall include integral fire protection for recirculating hoods, including canopy type.

13.2.4.2 Cooking appliances that require protection and that are under a recirculating hood shall be protected by either the integral fire protection system in accordance with ANSI/UL 710B, or a system in accordance with Chapter 10.

13.2.5 There shall be no substitution or exchange of cooking appliances, filter components, blower components, or fire-extinguishing system components that would violate the listing of the appliance.

13.2.6 A recirculating system shall not use cooking equipment that exceeds the recirculating system's labeled maximum limits for that type of equipment, stated in maximum energy input, maximum cooking temperature, and maximum square area of cooking surface or cubic volume of cooking cavity.

13.2.7 The listing label shall show the type(s) of cooking equipment tested and the maximum limits specified in 13.2.6.

13.2.8 A fire-actuated damper shall be installed at the exhaust outlet of the system.

13.2.9 The fire damper shall be constructed of at least the same gauge as the shell.

13.2.10 The actuation device for the fire damper shall have a maximum temperature rating of 190°C (375°F).

13.2.11 The power supply of any electrostatic precipitator (ESP) shall be of the "cold spark," ferroresonant type in which the voltage falls off as the current draw of a short increases.

13.2.12 Listing evaluation shall include the following:

- (1) Capture and containment of vapors at published and labeled airflows
- (2) Grease discharge at the exhaust outlet of the system not to exceed an average of 5 mg/m³ (0.00018 oz/ft³) of exhausted air sampled from that equipment at maximum amount of product that is capable of being processed over a continuous 8-hour test per EPA Test Method 202, with the system operating at its minimum listed airflow
- (3) Listing and labeling of clearance to combustibles from all sides, top, and bottom
- (4) Electrical connection in the field in accordance with *NFPA 70*
- (5) Interlocks on all removable components that lie in the path of airflow within the unit to ensure that they are in place during operation of the cooking appliance

13.3 Interlocks.

13.3.1 The recirculating system shall be provided with interlocks of all critical components and operations as indicated in 13.3.2 through 13.3.4 such that, if any of these interlocks are interrupted, the cooking appliance will not be able to operate.

13.3.2 All closure panels encompassing airflow sections shall have interlocks to ensure that the panels are in place and fully sealed.

13.3.3 Each filter component (grease and odor) shall have an interlock to prove the component is in place.

13.3.4 ESP Interlocks.

13.3.4.1 Each ESP shall have a sensor to prove its performance is as designed, with no interruption of the power to exceed 2 minutes.

13.3.4.2 The sensor shall be a manual reset device or circuit.

13.3.5 Airflow Switch or Transducer.

13.3.5.1 An airflow switch or transducer shall be provided after the last filter component to ensure that a minimum airflow is maintained.

13.3.5.2 The airflow switch or transducer shall open the interlock circuit when the airflow falls 25 percent below the system's normal operating flow or 10 percent below its listed minimum rating, whichever is lower.

13.3.5.3 The airflow switch or transducer shall be a manual reset device or circuit.

13.4 Location and Application Restrictions.

13.4.1 The location of recirculating systems shall be approved by the authority having jurisdiction.

13.4.2 Items to be reviewed in the fire risk assessment shall include, but not be limited to, life safety, combustibility of surroundings, proximity to air vents, and total fuel load.

13.5 Additional Fire Safety Requirements.

13.5.1 In addition to the appliance nozzle(s), a recirculating system shall be listed with the appropriate fire protection for grease filters, grease filtration, odor filtration units, and ductwork, where applicable.

13.5.2 In addition to any other fire-extinguishing system activation device, there shall be a fire-extinguishing system activation device installed downstream of any ESP.

13.5.3 The requirements of Section 10.6 shall also apply to recirculating system locations.

13.5.4 A means of manual activation of the fire-extinguishing system shall be provided in an area where it is safely accessible in the event of a fire in the appliance.

13.5.5 The manual activation device for the fire-extinguishing system shall be clearly identified.

13.6 Use and Maintenance.

13.6.1 Automatic or manual covers on cooking appliances, especially fryers, shall not interfere with the application of the fire suppression system.

13.6.2 All filters shall be cleaned or replaced in accordance with the manufacturer's instructions.

13.6.3 All ESPs shall be cleaned a minimum of once per week and according to the manufacturer's cleaning instructions.

13.6.4 The entire hood plenum and the blower section shall be cleaned a minimum of once every 3 months.

13.6.5 Inspection and testing of the total operation and all safety interlocks in accordance with the manufacturer's instructions shall be performed by qualified service personnel a minimum of once every 6 months or more frequently if required.

13.6.6 Fire-extinguishing equipment shall be inspected in accordance with Section 11.2.

13.6.7 A signed and dated log of maintenance as performed in accordance with 13.6.4 and 13.6.5 shall be available on the premises for use by the authority having jurisdiction.

Chapter 14 Solid Fuel Cooking Operations

14.1 Venting Application. Venting requirements of solid fuel cooking operations shall be determined in accordance with 14.1.1 through 14.1.7.

14.1.1 Where solid fuel cooking equipment is required by the manufacturer to have a natural draft, the vent shall comply with Section 14.4.

14.1.2 Where the solid fuel cooking equipment has a self-contained top, is the only appliance to be vented in an isolated space (except for a single water heater with its own separate vent), has a separate makeup air system, and is provided with supply and return air (not supplied or returned from other spaces), the system shall comply with Sections 14.4 and 14.6.

14.1.3 Where the solid fuel cooking equipment is located in a space with other vented equipment, all vented equipment shall have an exhaust system interlocked with a makeup air system for the space per Section 14.6.

14.1.4 Natural draft ventilation systems and power-exhausted ventilation systems shall comply with Sections 14.3, 14.4, and 14.6.

14.1.5 Where a solid fuel cooking appliance allows effluent to escape from the appliance opening, this opening shall be covered by a hood and an exhaust system that meets the requirements of Sections 14.3, 14.4, and 14.6.

14.1.6 Solid fuel cooking operations shall have spark arresters to minimize the passage of airborne sparks and embers into plenums and ducts.

14.1.7 Where the solid fuel cooking operation is not located under a hood, a spark arrester shall be provided to minimize the passage of sparks and embers into flues and chimneys.

14.2 Location of Appliances.

14.2.1 Every appliance shall be located with respect to building construction and other equipment so as to permit access to the appliance.

14.2.2* Solid fuel cooking appliances shall not be installed in confined spaces.

14.2.3 Solid fuel cooking appliances listed for installation in confined spaces such as alcoves shall be installed in accordance with the terms of the listing and the manufacturer's instructions.

14.2.4 Solid fuel cooking appliances shall not be installed in any location where gasoline or any other flammable vapors or gases are present.

14.3 Hoods for Solid Fuel Cooking.

14.3.1 Hoods shall be sized and located in a manner capable of capturing and containing all the effluent discharging from the appliances.

14.3.2 The hood and its exhaust system shall comply with the requirements of Chapters 5 through 10.

14.3.3 Except as permitted in 14.3.4, exhaust systems serving solid fuel cooking equipment, including gas or electrically operated equipment, shall be separate from all other exhaust systems.

14.3.4* Gas-operated equipment utilizing solid fuel for flavoring that meets all the following conditions shall not be required to have a separate exhaust system:

- (1)*The solid fuel holder (smoker box) shall be listed with the gas-operated equipment.
- (2) The solid fuel holder shall be located underneath the gas burners.
- (3) Spark arresters conforming with 14.1.6 shall be provided.
- (4)*The maximum quantity of solid fuel consumed shall not exceed 2 kg (4.5 lb) per hour per 29.3 kW (100,000 Btu/hr) of gas burner capacity.
- (5) The gas-operated equipment shall be protected by a fire suppression system listed for the equipment, including the solid fuel holder.
- (6) Gas-operated equipment with integral solid fuel holder(s) intended for flavoring, such as radiant charbroiler(s), shall comply simultaneously with the requirements of ANSI/UL 300 that address that gas radiant charbroiler(s) and mesquite wood charbroiler(s).
- (7) A fire suppression system nozzle(s) shall be installed to protect the solid fuel holder.
- (8) The fire suppression system shall be designed and installed to protect the entire cooking operation.
- (9) Each solid fuel holder shall be limited to a size of 32.8 L (2000 in.³), with no dimension to exceed 51 cm (20 in.).
- (10) A maximum of one solid fuel holder for each 29.3 kW (100,000 Btu/hr), or portion thereof, of burner capacity shall be permitted.
- (11) The inspection frequency shall be the same as for solid fuel cooking operations in Table 11.4.

14.3.4.1 Gas-operated equipment utilizing solid fuel for flavoring that meets 14.3.4 shall be inspected, cleaned, and maintained in accordance with Section 14.8.

14.3.5 Cooking equipment not requiring automatic fire-extinguishing equipment (per Chapter 10) shall be permitted to be installed under a common hood with solid fuel cooking equipment that is served by a duct system separate from all other exhaust systems.

14.4 Exhaust for Solid Fuel Cooking. Where a hood is not required, in buildings where the duct system is three stories or less in height, a duct complying with Chapter 7 shall be provided.

14.4.1 If a hood is used in buildings where the duct system is three stories or less in height, the duct system shall comply with Chapter 7.

14.4.2 A listed or approved grease duct system that is four stories in height or greater shall be provided for solid fuel cooking exhaust systems.

14.4.3 Where a hood is used, the duct system shall conform with the requirements of Chapter 7.

14.4.4 Wall terminations of solid fuel exhaust systems shall be prohibited.

14.5 Grease Removal Devices for Solid Fuel Cooking.

14.5.1 Grease removal devices shall be constructed of steel or stainless steel or be approved for solid fuel cooking.

14.5.2 If airborne sparks and embers can be generated by the solid fuel cooking operation, spark arrester devices shall be used prior to using the grease removal device, to minimize the

entrance of these sparks and embers into the grease removal device and into the hood and the duct system.

14.5.3 Filters shall be a minimum of 1.2 m (4 ft) above the appliance cooking surface.

14.6 Air Movement for Solid Fuel Cooking.

14.6.1 Exhaust system requirements shall comply with Chapter 8 for hooded operation or shall be installed in accordance with the manufacturer's recommendations for unhooded applications.

14.6.2 A replacement or makeup air system shall be provided to ensure a positive supply of replacement air at all times during cooking operations.

14.6.3 Makeup air systems serving solid fuel cooking operations shall be interlocked with the exhaust air system and powered, if necessary, to prevent the space from attaining a negative pressure while the solid fuel appliance is in operation.

14.7 Fire-Extinguishing Equipment for Solid Fuel Cooking.

14.7.1 Solid fuel cooking appliances that produce grease-laden vapors shall be protected by listed fire-extinguishing equipment.

14.7.2 Where acceptable to the authority having jurisdiction, solid fuel cooking appliances constructed of solid masonry or reinforced portland or refractory cement concrete and vented in accordance with NFPA 211 shall not require fixed automatic fire-extinguishing equipment.

14.7.3 Listed fire-extinguishing equipment shall be provided for the protection of grease removal devices, hoods, and duct systems.

14.7.4 Where acceptable to the authority having jurisdiction, solid fuel cooking appliances constructed of solid masonry or reinforced portland or refractory cement concrete and vented in accordance with NFPA 211 shall not require automatic fire-extinguishing equipment for the protection of grease removal devices, hoods, and duct systems.

14.7.5 Listed fire-extinguishing equipment for solid fuel-burning cooking appliances, where required, shall comply with Chapter 10 and shall use water-based agents.

14.7.6 Fire-extinguishing equipment shall be rated and designed to extinguish solid fuel cooking fires.

14.7.7 The fire-extinguishing equipment shall be of sufficient size to totally extinguish fire in the entire hazard area and prevent reignition of the fuel.

14.7.8* All solid fuel appliances (whether under a hood or not) with fire boxes of 0.14 m^3 (5 ft^3) volume or less shall have at least a listed 2-A rated water spray fire extinguisher or a 6 L (1.6 gal) wet chemical fire extinguisher listed for Class K fires in accordance with NFPA 10, with a maximum travel distance of 6 m (20 ft) to the appliance.

14.7.9 Hose Protection.

14.7.9.1 Solid fuel appliances with fireboxes exceeding 0.14 m^3 (5 ft^3) shall be provided with a fixed water pipe system with a hose in the kitchen capable of reaching the firebox.

14.7.9.1.1 The hose shall be equipped with an adjustable nozzle capable of producing a fine to medium spray or mist.

14.7.9.1.2 The nozzle shall be of the type that cannot produce a straight stream.

14.7.9.2 The system shall have a minimum operating pressure of 275.8 kPa (40 psi) and shall provide a minimum of 19 L/min (5 gpm).

14.7.10 Fire suppression for fuel storage areas shall comply with Section 14.9 of this standard.

14.7.11 In addition to the requirements of 14.7.8 through 14.7.10, where any solid fuel cooking appliance is also provided with auxiliary electric, gas, oil, or other fuel for ignition or supplemental heat and the appliance is also served by any portion of a fire-extinguishing system complying with Chapter 10, such auxiliary fuel shall be shut off on actuation of the fire-extinguishing system.

14.8 Procedures for Inspection, Cleaning, and Maintenance for Solid Fuel Cooking. Solid fuel cooking appliances shall be inspected, cleaned, and maintained in accordance with the procedures outlined in Chapter 11 and with 14.8.1 through 14.8.5.

14.8.1 The combustion chamber shall be scraped clean to its original surface once each week and shall be inspected for deterioration or defects.

14.8.2 Any significant deterioration or defect that might weaken the chamber or reduce its insulation capability shall be immediately repaired.

14.8.3 The flue or chimney shall be inspected weekly for the following conditions:

- (1) Residue that might begin to restrict the vent or create an additional fuel source
- (2) Corrosion or physical damage that might reduce the flue's capability to contain the effluent

14.8.3.1 The flue or chimney shall be cleaned before these conditions exist.

14.8.3.2 The flue or chimney shall be repaired or replaced if any unsafe condition is evident.

14.8.4 Spark arrester screens located at the entrance of the flue or in the hood assembly shall be cleaned prior to their becoming heavily contaminated and restricted.

14.8.5 Filters and filtration devices installed in a hood shall be cleaned per 14.8.4.

14.9 Minimum Safety Requirements: Fuel Storage, Handling, and Ash Removal for Solid Fuel Cooking.

14.9.1 Installation Clearances.

14.9.1.1 Solid fuel cooking appliances shall be installed on floors of noncombustible construction that extend 0.92 m (3 ft) in all directions from the appliance.

14.9.1.2 Floors with noncombustible surfaces shall be permitted to be used where they have been approved for such use by the authority having jurisdiction.

14.9.1.3 Floor assemblies that have been listed for solid fuel appliance applications shall be permitted to be used.

14.9.1.4 Solid fuel cooking appliances that have been listed for zero clearance to combustibles on the bottom and sides and have an approved hearth extending 0.92 m (3 ft) in all directions from the service door(s) shall be permitted to be used on combustible floors.

14.9.1.5 Combustible and limited-combustible surfaces or construction within 0.92 m (3 ft) of the sides or 1.8 m (6 ft)

above a solid fuel cooking appliance shall be protected in a manner acceptable to the authority having jurisdiction.

14.9.1.6 Solid fuel cooking appliances that are specifically listed for less clearance to combustibles shall be permitted to be installed in accordance with the requirements of the listing and the manufacturer's instructions.

14.9.2 Solid Fuel Storage.

14.9.2.1 Where storage is in the same room as the solid fuel appliance or in the same room as the fuel-loading or clean-out doors, fuel storage shall not exceed a 1-day supply.

14.9.2.2 Fuel shall not be stored above any heat-producing appliance or vent or closer than 0.92 m (3 ft) to any portion of a solid fuel appliance constructed of metal or to any other cooking appliance that could ignite the fuel.

14.9.2.3 Fuel shall be permitted to be stored closer than the requirements of 14.9.2.2 where a solid fuel appliance or other cooking appliance is listed or approved for less clearance to combustibles.

14.9.2.4 Fuel shall not be stored in the path of the ash removal.

14.9.2.5 Where stored in the same building as the solid fuel appliance, fuel shall be stored only in an area with walls, floor, and ceiling of noncombustible construction extending at least 0.92 m (3 ft) past the outside dimensions of the storage pile.

14.9.2.6 Fuel shall be permitted to be stored in an area with walls, floor, and ceiling of combustible or limited-combustible construction where protected in accordance with 4.2.3.

14.9.2.7 Fuel shall be separated from all flammable liquids, all ignition sources, all chemicals, and all food supplies and packaging goods.

14.9.2.8 All fuel storage areas shall be provided with a sprinkler system meeting the requirements of NFPA 13 except as permitted by 14.9.2.8.1 and 14.9.2.8.2.

14.9.2.8.1 Where acceptable to the authority having jurisdiction, fuel storage areas shall be permitted to be protected with a fixed water pipe system with a hose capable of reaching all parts of the area.

14.9.2.8.2 In lieu of the sprinkler system outlined in 14.9.2.8, a listed 2-A rated water spray fire extinguisher or a 6 L (1.6 gal) wet chemical fire extinguisher listed for Class K fires with a maximum travel distance of 6 m (20 ft) to the solid fuel piles shall be permitted to be used for a solid fuel pile, provided that the fuel pile does not exceed 0.14 m³ (5 ft³) volume.

14.9.3 Solid Fuel Handling and Ash Removal.

14.9.3.1 Solid fuel shall be ignited with a match, an approved built-in gas flame, or other approved ignition source.

14.9.3.2 Combustible or flammable liquids shall not be used to assist ignition.

14.9.3.3 Matches and other portable ignition sources shall not be stored in the vicinity of the solid fuel appliance.

14.9.3.4 Solid fuel shall be added to the fire as required in a safe manner and in quantities and ways not creating a higher flame than is required.

14.9.3.5 Long-handled tongs, hooks, and other required devices shall be provided and used to safely add fuel, adjust the fuel position, and control the fire without the user having to reach into the firebox.

14.9.3.6 Ash Protection.

14.9.3.6.1 Ash, cinders, and other fire debris shall be removed from the firebox at regular intervals to prevent interference with the draft to the fire and to minimize the length of time the access door is open.

14.9.3.6.2 All ash shall be removed from the chamber a minimum of once a day.

14.9.3.6.3 The ash shall be sprayed with water before removal to extinguish any hot ash or cinders and to control the dust when the ash is moved.

14.9.3.7 Hose Protection.

14.9.3.7.1 For the purposes described in 14.9.3.6.3, to cool a fire that has become too hot and to stop all fire before the premises are vacated, a water supply with a flexible hose shall be provided at the solid fuel appliance.

14.9.3.7.2 For appliances with fireboxes not exceeding 0.14 m³ (5 ft³), the water source shall be permitted to be a 37.9 L (10 gal) container with a gravity arrangement or a hand pump for pressure.

14.9.3.7.3 For appliances with fireboxes over 0.14 m³ (5 ft³), the water source shall be a fixed pipe water system with a hose of adequate length to reach the combustion and cooking chambers of the appliance.

14.9.3.7.4 For either application, the nozzle shall be fitted with a manual shutoff device and shall be of the type to provide a fine to medium spray capable of reaching all areas of the combustion and cooking chambers.

14.9.3.7.4.1 The nozzle shall be of the type that cannot produce a straight stream.

14.9.3.8 Ash Removal Container or Cart.

14.9.3.8.1 A heavy metal container or cart (minimum 16 gauge) with a cover shall be provided for the removal of ash.

14.9.3.8.2 The ash removal container or cart shall not exceed a maximum of 75.7 L (20 gal) capacity, shall be assigned for this one purpose, shall be able to be handled easily by any employee assigned the task, and shall pass easily through any passageway to the outside of the building.

14.9.3.8.3 The container or cart shall always be covered when it is being moved through the premises.

14.9.3.8.4 When any hole occurs in a container from corrosion or damage, the container shall be repaired or replaced immediately.

14.9.3.9 Ash Removal Process.

14.9.3.9.1 Tools shall be provided so that ash removal can be accomplished without having to reach into the chamber.

14.9.3.9.2 The ash shall be spread out gently in small lots on the chamber floor or on a shovel, to be sprayed before it is removed to the metal container or cart.

14.9.3.9.3 If the floor of the chamber is of a metal that is subject to rapid corrosion from water, then a noncombustible, corrosion-resistant pan shall be placed just outside the clean-out door for this purpose.

14.9.3.9.4 The ash shall be carried to a separate heavy metal container (or dumpster) used exclusively for the purpose.

14.9.4 Other Safety Requirements.

14.9.4.1 Metal-fabricated solid fuel cooking appliances shall be listed for the application where produced in practical quantities or shall be approved by the authority having jurisdiction.

14.9.4.2 Where listed, metal-fabricated solid fuel cooking appliances shall be installed in accordance with the terms of their listings and with the applicable requirements of this standard.

14.9.4.3 Site-Built Solid Fuel Cooking Appliances.

14.9.4.3.1 Site-built solid fuel cooking appliances shall be submitted for approval to the authority having jurisdiction before being considered for installation.

14.9.4.3.2 All units submitted to the authority having jurisdiction shall be installed, operated, and maintained in accordance with the approved terms of the manufacturer's instructions and any additional requirements set forth by the authority having jurisdiction.

14.9.4.4 Except for the spark arresters required in 14.1.6, there shall be no additional devices of any type in any portion of the appliance, flue pipe, and chimney of a natural draft solid fuel operation.

14.9.4.5 No solid fuel cooking device of any type shall be permitted for deep fat frying involving more than 0.95 L (1 qt) of liquid shortening, nor shall any solid fuel cooking device be permitted within 0.92 m (3 ft) of any deep fat frying unit.

Chapter 15 Downdraft Appliance Ventilation Systems

15.1* General Requirements.

15.1.1 Downdraft appliance ventilation systems containing or for use with appliances used in processes producing smoke or grease-laden vapors shall be equipped with components complying with the following:

- (1) The clearance requirements of Section 4.2
- (2) The primary collection means designed for collecting cooking vapors and residues complying with the requirements of Chapter 5
- (3) Grease removal devices complying with Chapter 6
- (4) Special-purpose filters as listed in accordance with ANSI/UL 1046
- (5) Exhaust ducts complying with Chapter 7
- (6) The air movement requirements of 8.2.1.2 and 8.2.2.3
- (7) Auxiliary equipment (such as particulate and odor removal devices) complying with Chapter 9
- (8) Fire-extinguishing equipment complying with the requirements of Chapter 10 and as specified in Section 15.2
- (9) The use and maintenance requirements of Chapter 11
- (10) The minimum safety requirements of Chapter 12

15.1.2 The downdraft appliance ventilation system shall be capable of capturing and containing all the effluent discharging from the appliance(s) it is serving.

15.2 Fire-Extinguishing Equipment. For fire-extinguishing equipment on downdraft appliance ventilation systems, the following shall apply:

- (1) Cooking surface, duct, and plenum protection shall be provided.

- (2) At least one fusible link or heat detector shall be installed within each exhaust duct opening in accordance with the manufacturer's listing.
- (3) A fusible link or heat detector shall be provided above each protected cooking appliance and in accordance with the extinguishing system manufacturer's listing.
- (4) A manual activation device shall be provided as part of each appliance at a height acceptable to the authority having jurisdiction.
- (5) Portable fire extinguishers shall be provided in accordance with Section 10.10.

15.2.1 A listed downdraft appliance ventilation system employing an integral fire-extinguishing system, including detection systems, that has been evaluated for grease and smoke capture, fire extinguishing, and detection shall be considered as complying with Section 15.2.

15.2.2 The downdraft appliance ventilation system shall be provided with interlocks such that the cooking fuel supply will not be activated unless the exhaust and supply air systems have been activated.

15.3 Airflow Switch or Transducer.

15.3.1 An airflow switch or transducer shall be provided after the last filter component to ensure that a minimum airflow is maintained.

15.3.2 The airflow switch or transducer shall open the interlock circuit when the airflow falls 25 percent below the system's normal operating flow or 10 percent below its listed minimum rating, whichever is lower.

15.3.3 The airflow switch or transducer shall be a manual reset device or circuit.

15.4 Surface Materials. Any surface located directly above the cooking appliance shall be of noncombustible or limited-combustible materials.

Annex A Explanatory Material

Annex A is not a part of the requirements of this NFPA document but is included for informational purposes only. This annex contains explanatory material, numbered to correspond with the applicable text paragraphs.

A.1.1.1 These requirements include, but are not limited to, all manner of cooking equipment, exhaust hoods, grease removal devices, exhaust ductwork, exhaust fans, dampers, fire-extinguishing equipment, and all other auxiliary or ancillary components or systems that are involved in the capture, containment, and control of grease-laden cooking effluent.

A.1.1.4 This judgment should take into account the type of cooking being performed, the items being cooked, and the frequency of cooking operations. Examples of operations that might not require compliance with this standard include the following:

- (1) Day care centers warming bottles and lunches
- (2) Therapy cooking facilities in health care occupancies
- (3) Churches and meeting operations that are not cooking meals that produce grease-laden vapors
- (4) Employee break rooms where food is warmed

A.1.3.1 This standard cannot provide safe design and operation if parts of it are not enforced or are arbitrarily deleted in any application.

A.3.2.1 Approved. The National Fire Protection Association does not approve, inspect, or certify any installations, procedures, equipment, or materials; nor does it approve or evaluate testing laboratories. In determining the acceptability of installations, procedures, equipment, or materials, the authority having jurisdiction may base acceptance on compliance with NFPA or other appropriate standards. In the absence of such standards, said authority may require evidence of proper installation, procedure, or use. The authority having jurisdiction may also refer to the listings or labeling practices of an organization that is concerned with product evaluations and is thus in a position to determine compliance with appropriate standards for the current production of listed items.

A.3.2.2 Authority Having Jurisdiction (AHJ). The phrase “authority having jurisdiction,” or its acronym AHJ, is used in NFPA documents in a broad manner, since jurisdictions and approval agencies vary, as do their responsibilities. Where public safety is primary, the authority having jurisdiction may be a federal, state, local, or other regional department or individual such as a fire chief; fire marshal; chief of a fire prevention bureau, labor department, or health department; building official; electrical inspector; or others having statutory authority. For insurance purposes, an insurance inspection department, rating bureau, or other insurance company representative may be the authority having jurisdiction. In many circumstances, the property owner or his or her designated agent assumes the role of the authority having jurisdiction; at government installations, the commanding officer or departmental official may be the authority having jurisdiction.

A.3.2.4 Listed. The means for identifying listed equipment may vary for each organization concerned with product evaluation; some organizations do not recognize equipment as listed unless it is also labeled. The authority having jurisdiction should utilize the system employed by the listing organization to identify a listed product.

A.3.3.4 Appliance Flue Outlet. There might or might not be ductwork attached to the opening(s).

A.3.3.10 Certified. Certification can be provided by the manufacturer of the listed equipment being serviced or an independent third party.

A.3.3.14 Construction. See Figure A.3.3.14.

A.3.3.15 Continuous Weld. Welding is a fabrication technique for joining metals by heating the materials to the point that they melt and flow together to form an uninterrupted surface of no less strength than the original materials.

For the purpose of the definition, it specifically includes the exhaust compartment of hoods and welded joints of exhaust ducts yet specifically does not include filter support frames or appendages inside hoods.

A.3.3.23.2 Solid Fuel Cooking Equipment. This equipment includes ovens, tandoori charcoal pots, grills, broilers, rotisseries, barbecue pits, and any other type of cooking equipment that derives all or part of its heat source from the burning of solid cooking fuel.

A.3.3.24.1 Grease Filter. Filters should limit the projection of flames after grease loading, in accordance with ANSI/UL 1046, *Standard for Grease Filters for Exhaust Ducts*, to a maximum of

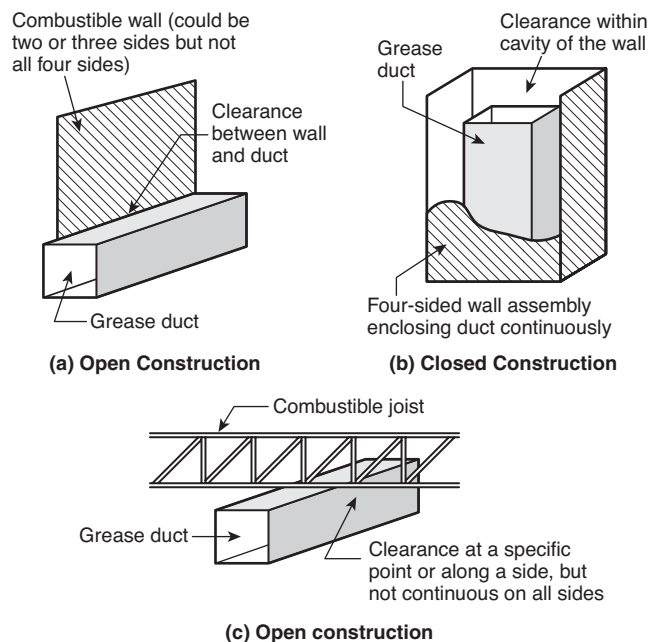


FIGURE A.3.3.14 Examples of Open and Closed Combustible Construction.

457 mm (18 in.) downstream when attacked by flame on the upstream side. They are expected to maintain their strength, shape, and integrity when exposed to the anticipated rough handling, cleaning, and service found in the field.

A.3.3.29 Grease. Grease might be liberated and entrained with exhaust air or might be visible as a liquid or solid.

A.3.3.33 Hood. The term *hoods* as used in this document often refers to Type I hoods, meaning those applied to grease exhaust applications. They are built in various styles, for example, single- or double-island canopy, wall-mounted canopy, noncanopy, backshelf, high sidewall, eyebrow, and pass-over style. All such type and style hoods are applicable to this document, provided they meet all the material and performance requirements of this document. (See Figure A.3.3.33.)

The following are types of hoods:

- (1) *Type I.* Hoods designed for grease exhaust applications.
- (2) *Type II.* Hoods designed for heat and steam removal and other nongrease applications. These hoods are not applicable to the standard.

A.3.3.37 Material. Materials subject to increase in combustibility or flame spread index beyond the limits herein established through the effects of age, moisture, or other atmospheric condition should be considered combustible. See Table A.3.3.37.

A.3.3.37.3 Noncombustible Material. Materials that are reported as passing ASTM E 136, *Standard Test Method for Behavior of Materials in a Vertical Tube Furnace at 750°C*, should be considered noncombustible materials.

A.3.3.50 Trained. Formal and/or technical training can be administered by the employer or a recognized training program.

A.4.1.1.1 See ANSI/UL 710B, *Standard for Recirculating Systems*.

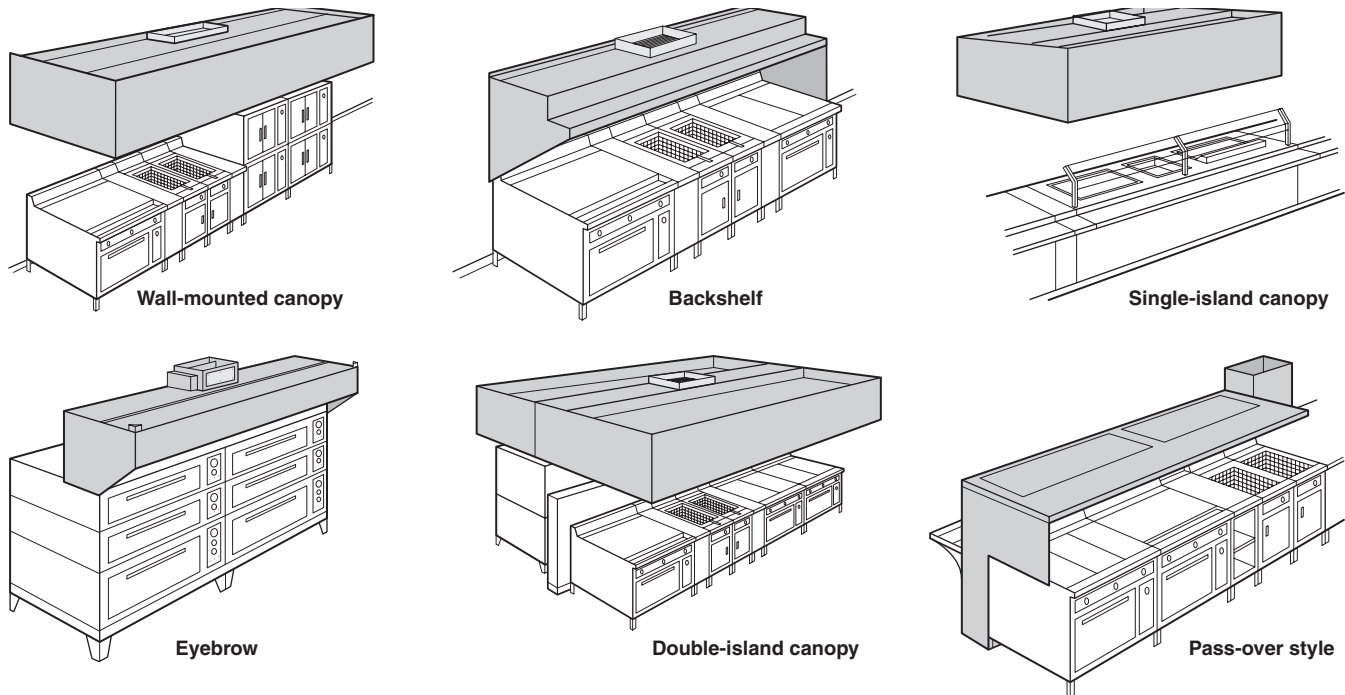


FIGURE A.3.3.33 Styles of Hoods.

Table A.3.3.37 Types of Construction Assemblies Containing Noncombustible, Limited-Combustible, and Combustible Materials

Type of Assembly	Classifications for Determining Hood and Grease Duct Clearance*		
	Non-combustible	Limited-Combustible	Combustible
Wall assemblies			
Brick, clay tile, or concrete masonry products	X		
Plaster, ceramic, or quarry tile on brick, clay tile, or concrete masonry products	X		
Plaster on metal lath on metal studs	X		
Gypsum board on metal studs		X	
Solid gypsum board†		X	
Plaster on wood or metal lath on wood studs			X
Gypsum board on wood studs			X
Plywood or other wood sheathing on wood or metal studs			X
Floor-ceiling or roof-ceiling assemblies			
Plaster applied directly to underside of concrete slab	X		
Suspended membrane ceiling			
With noncombustible mineral wool acoustical material	X		
With combustible fibrous tile			X
Gypsum board on steel joists beneath concrete slab		X	
Gypsum board on wood joists			X

Notes:

(1) Wall assembly descriptions assume same facing material on both sides of studs.

(2) Categories are not changed by use of fire retardant-treated wood products.

(3) Categories are not changed by use of Type X gypsum board.

(4) See definitions in 3.3.37 of *combustible material*, *limited-combustible material*, and *noncombustible material*.

*See clearance requirements in Section 4.2.

†Solid gypsum walls and partitions, 50.8 mm (2 in.) or 57.15 mm (2¼ in.) thickness, are described in the Gypsum Association publication *Fire Resistance Design Manual*.

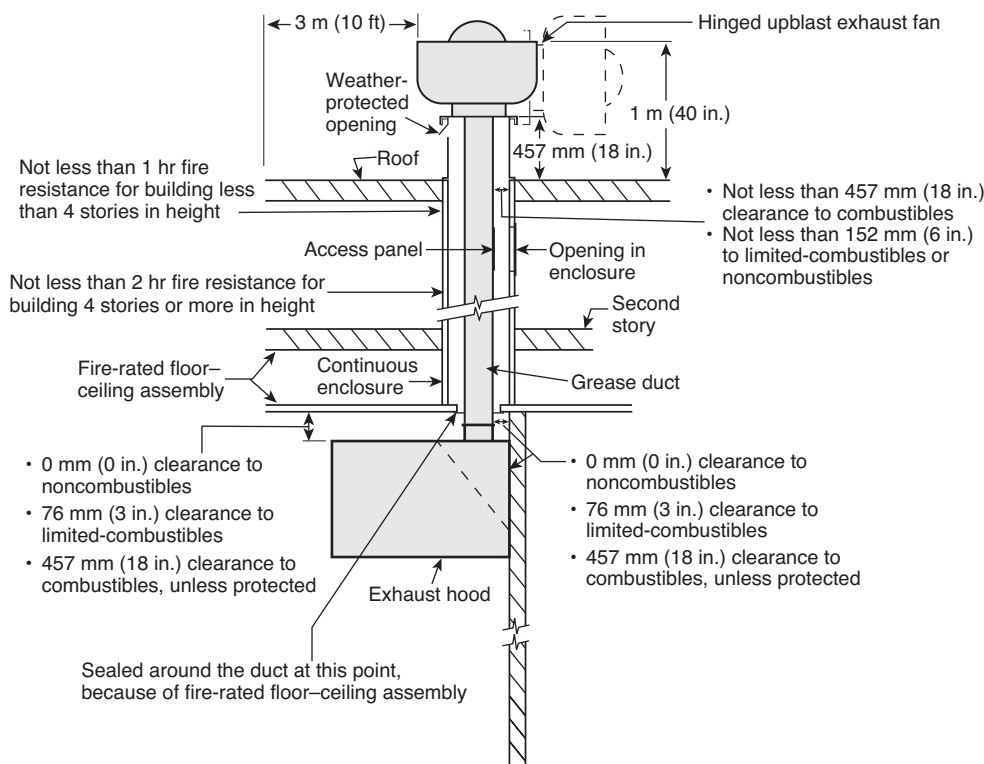


FIGURE A.4.2(a) Typical Section View for Building with Two Stories or More with Fire-Rated Floor-Ceiling Assembly.

A.4.1.6 When solid fuel is burned in cooking operations, increased quantities of carbon, creosote, and grease-laden vapors are produced that rapidly contaminate surfaces, produce airborne sparks and embers, and are subject to significant flare-ups. Also, solid fuel cooking requires fuel storage and handling and produces ash that requires disposal. For these reasons, solid fuel cooking operations are required to comply with Chapter 14.

A.4.1.9 The authority having jurisdiction can exempt temporary facilities, such as a tent, upon evaluation for compliance to the applicable portions of this standard.

Although it might not be practical to enforce all requirements of this standard in temporary facilities, the authority having jurisdiction should determine that all necessary provisions that affect the personal safety of the occupants are considered.

A.4.2 See Figure A.4.2(a) through Figure A.4.2(h) for clarification of the appropriate clearances required in Section 4.2.

A.4.2.4.2 The intent of this paragraph is to maintain the systems and their function in accordance with the requirements of the edition of NFPA 96 under which the systems were designed and installed.

A.4.3.2 Protection should be steel outer casing [minimum 0.46 mm (0.018 in.) thick] or equivalent.

A.4.8.1.1 The provisions of 4.8.1.1 do not require inherently noncombustible materials to be tested in order to be classified as noncombustible materials. [5000: A.7.1.4.1]

A.4.8.1.1(1) Examples of such materials include steel, concrete, masonry and glass. [5000: A.7.1.4.1.1(1)]

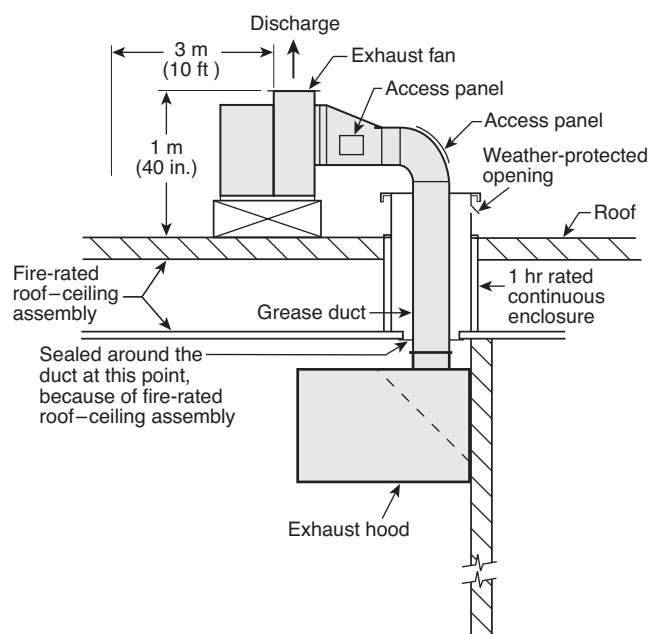


FIGURE A.4.2(b) Typical Section View for One-Story Building with Fire-Rated Roof-Ceiling Assembly. (Clearances given in Figure A.4.2(a) apply also to this drawing.)

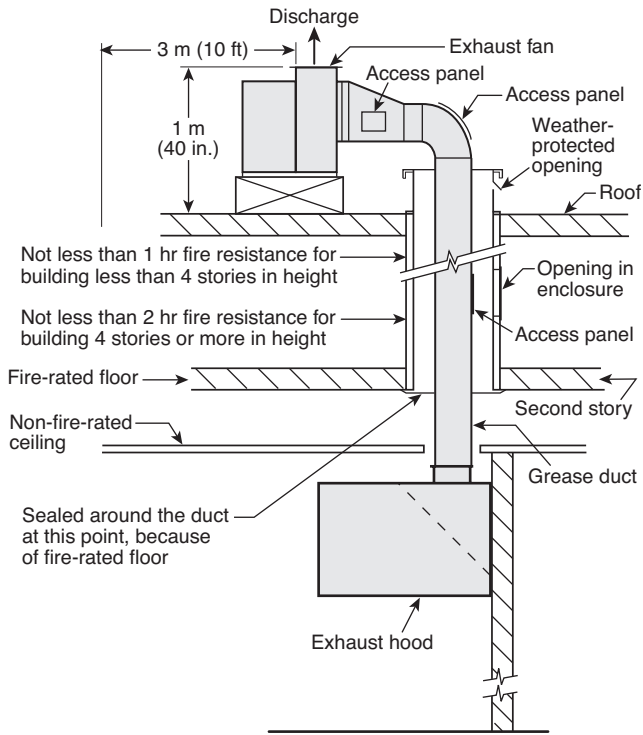
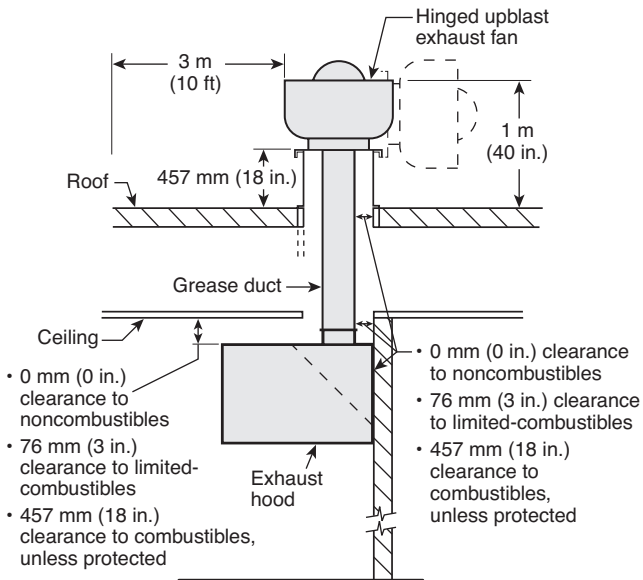
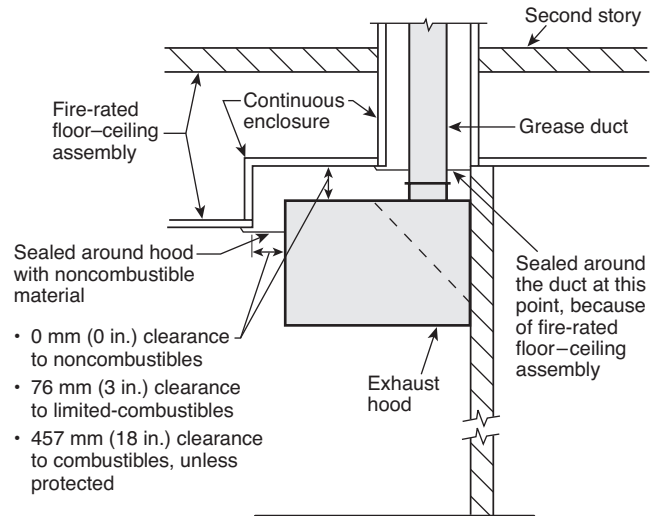


FIGURE A.4.2(c) Typical Section View for Building with Two Stories or More with Non-Fire-Rated Ceiling and Fire-Rated Floor. (Clearances given in Figure A.4.2(a) apply also to this drawing.)

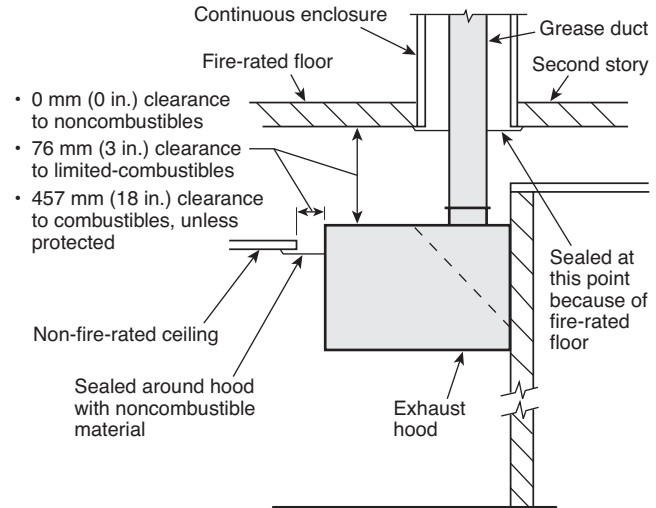


Note: Enclosure is not required in 1-story building where roof ceiling assembly does not have a fire resistance rating.

FIGURE A.4.2(d) Typical Section View for One-Story Building Without Fire-Rated Roof-Ceiling Assembly.



TYPICAL SECTION VIEW
(For building with 2 or more stories with fire-rated floor-ceiling assembly)



TYPICAL SECTION VIEW
(For building with 2 or more stories with non-fire-rated ceiling and fire-rated floor)

FIGURE A.4.2(e) Detail Drawings Showing Hoods Penetrating Ceilings.

A.5.1.4 Welding is one acceptable method.

A.5.3.4 Figure A.5.3.4 provides examples of exhaust hood assemblies with integrated supply air plenums.

A.5.4 Examples of acceptable materials for hoods include steel and stainless steel.

Additionally, many health officials prohibit galvanized steel in hoods, as does NSF/ANSI 2.

A.6.2.2.1 Appliances that produce high flue gas temperatures include deep-fat fryers, upright or high broilers, and salamander broilers.

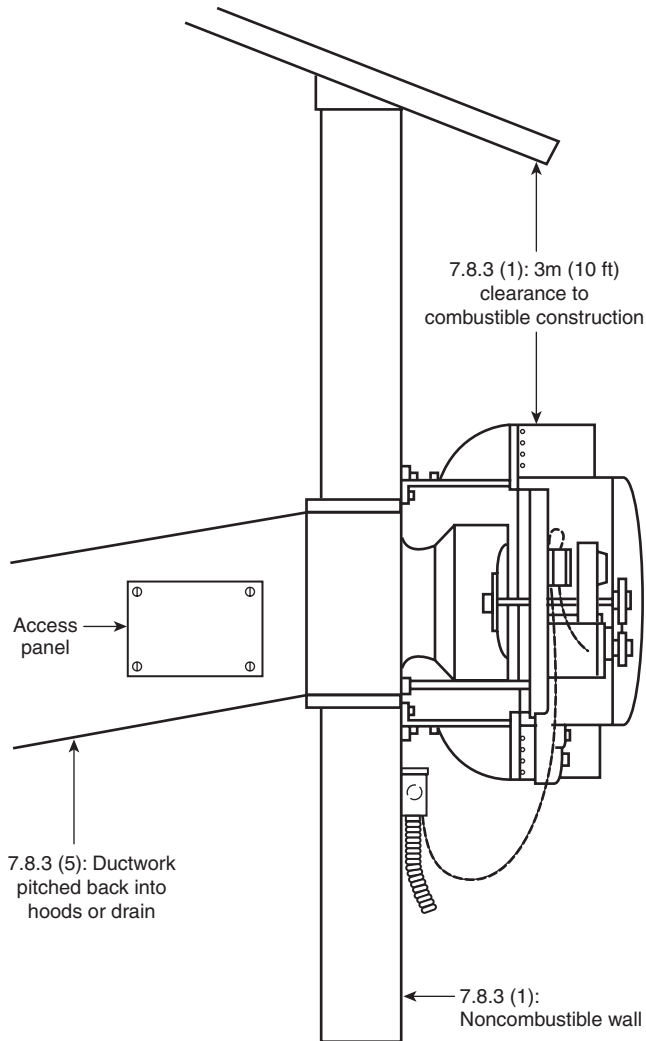


FIGURE A.4.2(f) Wall-Mounted Fan.

A.6.2.2.2 For a typical arrangement of a baffle protecting filters at an appliance vent, see Figure A.6.2.2.2.

A.7.1.2 Vertical or substantially pitched ducts are preferred over horizontal ducts because of their capacity to drain grease and to transfer heated vapors more rapidly to the exterior of a building.

A.7.1.4.3 Typically, ducts that are sloped in accordance with 7.1.4 prevent collection points for residue and eliminate the need for drains. For horizontal ducts greater than 22.86 m (75 ft), low points are difficult to avoid. Where the low points cannot be avoided, access and drains should be considered.

A.7.5.1 Examples of acceptable materials for ducts include the following:

- (1) Steel
- (2) Galvanized steel
- (3) Stainless steel

A.7.5.2.1.2 The leakage test should consist of a light test, a water pressure test, or an approved equivalent test. The permit

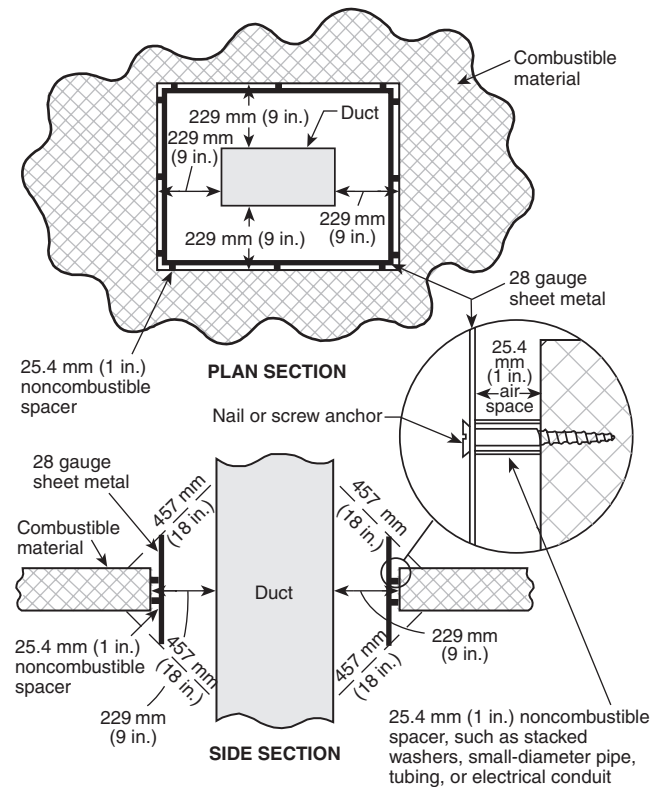


FIGURE A.4.2(g) Example of Clearance Reduction System: 229 mm (9 in.) Clearance to Combustible Material.

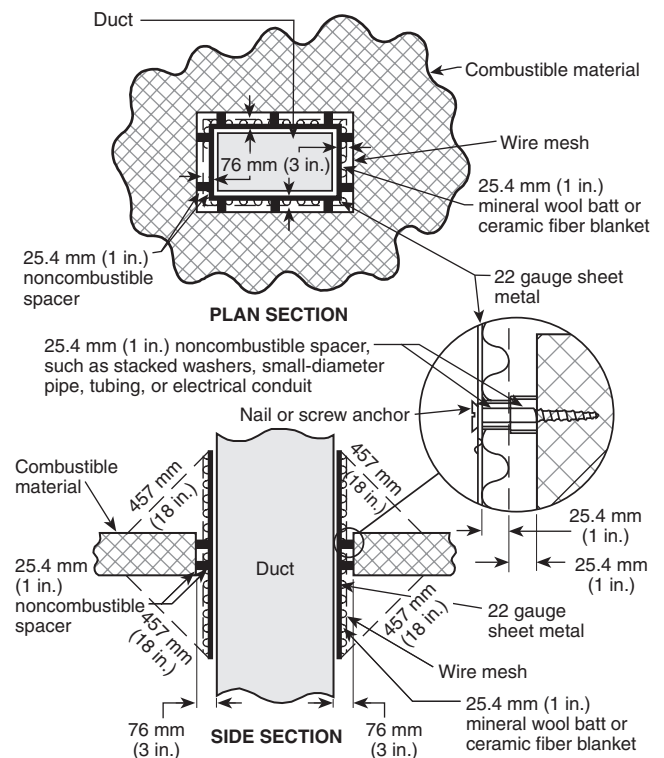
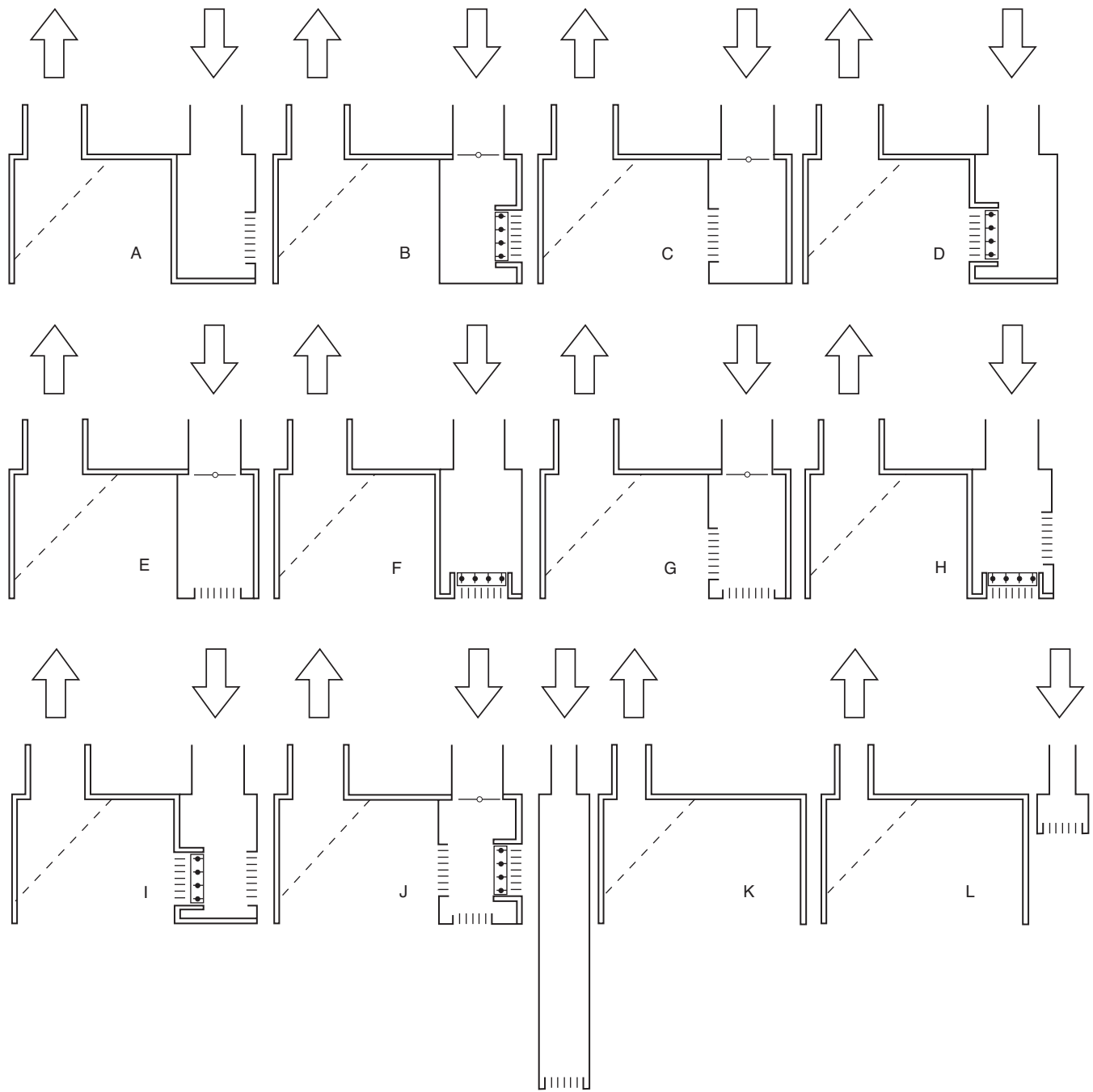


FIGURE A.4.2(h) Example of Clearance Reduction System: 76 mm (3 in.) Clearance to Combustible Material.



- Key:**
- Continuous liquidtight welded construction
 - Greasetight construction
 - Fire-actuated damper
 - Multiblade fire-actuated damper
 - Register/perforated panel

FIGURE A.5.3.4 Examples of Exhaust Hood Assemblies with Integrated Supply Air Plenums.

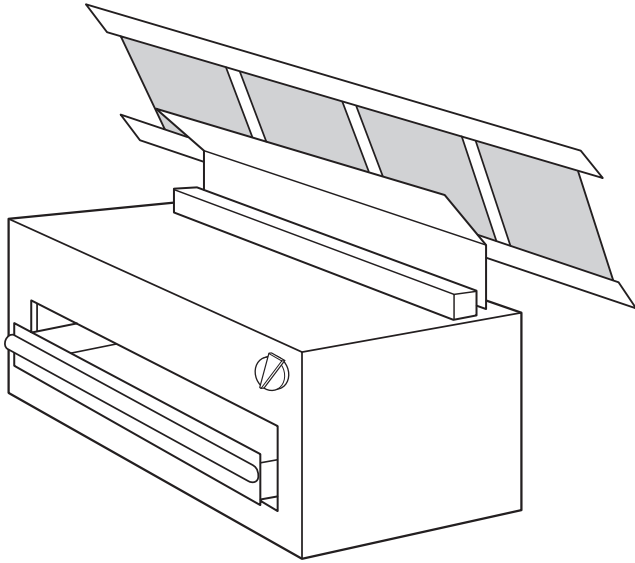


FIGURE A.6.2.2.2 Typical Arrangement of Baffle Protecting Filters at Appliance Vent.

holder should be responsible for providing the necessary equipment and for performing the test. Refer to ANSI/ASHRAE 154, *Ventilation for Commercial Cooking Operations*, for specific information on such tests.

A.7.7.2.2 Noncombustible materials such as reinforced concrete floors or protected steel beams, which might protrude into an enclosure and cause reduced clearance, can be permitted by the authority having jurisdiction if the installation and accessibility of the duct system are considered adequate.

A.7.8 It is preferable for the fan to be at or as close as possible to the end of the duct to minimize the number of pressurized duct joints and clean-outs through which grease might leak more easily.

Wherever possible and practicable, the termination of an exhaust system should be above a roof. Fans on walls should be used only where absolutely necessary, because of the many problems encountered, such as contaminated air recirculating through air intakes, thus lowering environmental quality in traveled or public areas; operable windows' accessibility to vandalism and accidental damage; and strong wind currents restricting airflow.

A.7.8.1(1) It is preferable for the fan to be at or as close to the end of the duct as possible to minimize the number of pressurized duct joints and clean-outs through which grease might leak more easily.

A.7.8.2.2 Both types of fan terminations should be accessible as follows:

- (1) *Rooftop Terminations.* All roof exhaust fans (whether through the roof or to the roof from outside) should have ready access to all sides from a flat roof surface without a ladder, or they should be provided with safe access via built-in stairs, a walkway, or a portable ladder to a flat work surface on all sides of the fan. (See 7.8.2.)
- (2) *Wall Terminations.* All through-the-wall exhaust fans should have ready access from the ground from no more than a 2 m (6 ft) stepladder or should be provided with a

flat work surface under the fan that allows for access to all sides of the fan from no more than a 6 m (20 ft) extension ladder. (See 7.8.3.)

A.7.8.4 Figure A.7.8.4 is an example of a rooftop termination for a duct traveling up the exterior of the building after penetrating a wall.

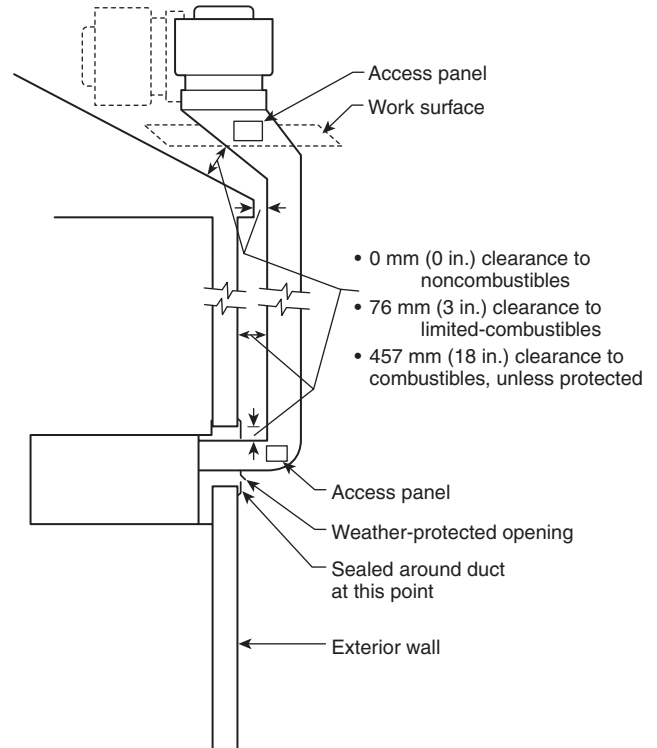


FIGURE A.7.8.4 Rooftop Terminations Through Combustible or Limited-Combustible Walls.

A.8.1.2 An upblast exhaust fan is popular due to its low cost and ease of installation and is common in one- or two-story freestanding restaurants. The fan housing typically is made of spun aluminum. The motor and the belt drive are outside the airstream. See Figure A.8.1.2 for an example.

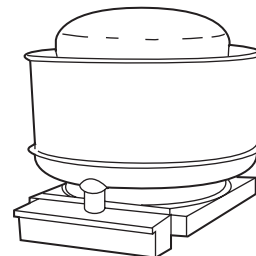


FIGURE A.8.1.2 Typical Upblast Fan.

A.8.1.3 Figure A.8.1.3 shows an in-line fan, which normally is used where space is not available for a utility set fan. It typically is located in a horizontal duct run in the false ceiling (interstitial) space.

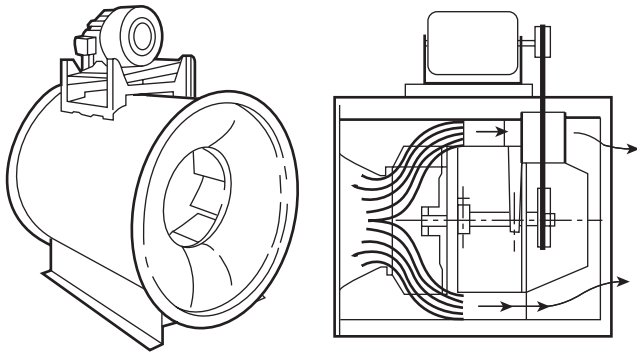


FIGURE A.8.1.3 In-Line Fan.

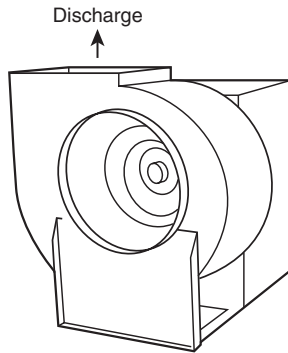


FIGURE A.8.1.4 Typical Utility Set Fan.

A.8.1.4 See Figure A.8.1.4 for an example of an utility set fan. This type of fan generally is used for large exhaust systems such as found in hotels, hospitals, and prisons or in restaurants located in high-rise buildings. It typically is mounted on the roof but sometimes is located in a mechanical room.

A.8.2.1.1 In ASHRAE Research Project 1033-RP Final Report, Kuehn et al. documented that grease deposition is reduced as air velocity is reduced, primarily due to less turbulence at the duct surface. Tests were performed at velocities of 2.54 m/s, 5.08 m/s, 7.62 m/s, and 10.16 m/s (500 fpm, 1000 fpm, 1500 fpm, and 2000 fpm). The 2.54 m/s (500 fpm) velocity maintains or improves the safety aspect of minimizing grease buildup, while allowing engineers more flexibility in both retrofit and new kitchen design that include variable flow kitchen exhaust systems. According to the report, grease deposition in uninsulated ducts exposed to cold outdoor climates can increase with lower duct velocities, and insulation of R10 or greater is recommended.

A.8.2.2.2 Performance tests can include a field test conducted with all appliances under the hood at operating temperatures and with all sources of outside air providing makeup air. Capture and containment should be verified visually by observing smoke or steam by actual or simulated full-load cooking.

A.8.3 It is not advisable to discontinue the use of replacement air systems during cooking operations. Exhaust function, indoor pollution, indoor comfort, and grease removal, for example, will be adversely affected.

A.8.4.1 See Figure A.8.4.1.

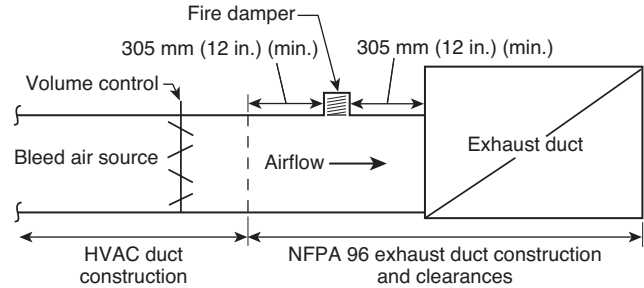


FIGURE A.8.4.1 System for Introducing Bleed Air into a Master Exhaust Duct.

A.9.2.4 All wiring should be designed, specified, and installed with due regard to the effects of heat, vapor, and grease on the equipment.

A.10.1.2 Examples of cooking equipment that produce grease-laden vapors include, but are not limited to, deep fat fryers, ranges, griddles, broilers, woks, tilting skillets, and braising pans.

A.10.2.2 NFPA 10, Annex A, provides recommendations for placards.

A.10.2.3 ANSI/UL 300 primarily addresses the method of fire testing for self-contained chemical extinguishing systems commonly referred to as pre-engineered systems. ANSI/UL 300 has been identified as a baseline for testing fire-extinguishing systems intended for the protection of commercial cooking-related hazards. Additional equivalent testing standards can and have been written for other types of fire-extinguishing systems not considered pre-engineered that demonstrate equivalent fire testing severity to the ANSI/UL 300 test standard. Current examples include, but are not limited to, ANSI/UL 199, UL Subject 199B, UL Subject 199E, and ANSI/UL 710B.

A.10.2.3.1 A change from rendered animal fat to cooking oil likely will increase auto-ignition temperatures, and a change to insulated energy-efficient cooking equipment that does not allow ease of cooling likely will result in difficulties sustaining extinguishment with systems not complying with ANSI/UL 300 or equivalent standards.

A.10.2.10(4) An approved weekly recorded inspection could consist of a log of entries that would display the date and time of each inspection and the initials of the person(s) conducting the visual inspection. Attaching the log to a clipboard and mounting it near the valve in question serves as a convenient reminder of the need to conduct the inspection.

A.10.9.2 Although training and qualification might be available elsewhere, the manufacturer of the equipment being installed should be considered an appropriate source of training and qualification.

A.10.10.1 The system used to rate extinguishers for Class B fires (flammable liquids in depth) does not take into consideration the special nature of heated grease fires. Cooking-grease fires are a special hazard requiring agents that saponify (make a soap foam layer to seal the top surface of the grease) for this application.

A.11.2.1 It is recommended that such training and qualification be performed by the manufacturer of the equipment being inspected and serviced. The various electrical, mechanical, and filtration components of the systems should be inspected and tested as required to ensure that they continue to function according to original design.

A.11.2.2 It is not intended that actual discharge of agent occur to test all components, but where pressure from the discharging agent or from compressed gas actuators is needed to activate control components, an alternate means for testing those components should be provided and used.

A.11.2.4 The date of manufacture marked on fusible metal alloy sensing elements does not limit when they can be used. These devices have unlimited shelf life. The intent of 11.2.4 is to require semiannual replacement of fusible metal alloy sensing elements that have been installed in environments that subject them to contaminant loading, such as grease in restaurant hoods and ducts, that could adversely affect their proper operation.

A.11.3.3 See A.11.2.4.

A.11.4 The primary focus of an inspection for cleanliness is to establish whether the volume of grease buildup within the exhaust system warrants cleaning and to determine whether adequate access is available throughout the exhaust system to remove the grease buildup.

A.11.6.1 A good operating practice is for cleaning personnel of commercial kitchen exhaust systems to have personal protective equipment (PPE) and height access equipment. The following items should be considered as a minimum:

- (1) Eye protection
- (2) Hand protection
- (3) Head protection
- (4) Foot protection
- (5) Respiratory protection
- (6) Fall protection
- (7) Ladders
- (8) Lock-out/tag-out kit

Preparation. The fan should be turned off, locked out, and tagged out. Open flames should be extinguished, and switches/breakers serving the appliance and cooking area outlets should be locked out. If the switches/breakers are not capable of being locked out and tagged out, any solid-fuel cooking appliances should be extinguished and the solid fuel removed.

Removal or Covering of Equipment. Food products, cookware, and cooking support equipment that can be removed should be removed from the cleaning area. Equipment that cannot be removed should be covered.

Cleaning Methods. The following methods for cleaning surfaces covered with grease and contaminants been proved to be effective:

- (1) Manual cleaning by scraping, grinding, or scrubbing
- (2) Chemical cleaning with agents and water
- (3) Pressure washing with pressurized water or pressurized water and agents
- (4) Steam cleaning with pressurized steam

Waste Water and Solid Waste. Water and agents used in the cleaning process and solid waste should be collected for disposal.

A.11.6.2 Hoods, grease removal devices, fans, ducts, and other appurtenances should be cleaned to remove combustible contaminants to a minimum of 50 μm (0.002 in.).

When to clean: A measurement system of deposition should be established to trigger a need to clean.

The method of measurement is a depth gauge comb, shown in Figure A.11.6.2, which is scraped along the duct surface. For example, a measured depth of 2000 μm (0.078 in.) indicates the need to remove the deposition risk. The system would also include point measurement in critical areas. For example, 3175 μm (0.125 in.) in a fan housing requires cleaning.

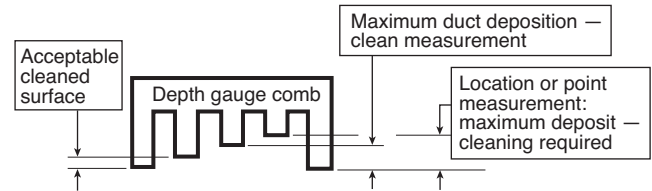


FIGURE A.11.6.2 Depth Gauge Comb.

A.12.1.1 Cooking appliances that are designed for permanent installation, including, but not limited to, ranges, ovens, stoves, broilers, grills, fryers, griddles, and barbecues, should be installed in accordance with the manufacturer's installation instructions.

- (1) Commercial electric cooking appliances should be listed and labeled in accordance with ANSI/UL 197.
- (2) Microwave cooking appliances should be listed and labeled in accordance with ANSI/UL 923.
- (3) Oil-burning stoves should be listed and labeled in accordance with ANSI/UL 896.
- (4) Wood-fired cooking appliances should be listed and labeled in accordance with ANSI/UL 737, UL Subject 2162, or UL Subject 2728, depending on exact appliance type.
- (5) Gas-fired cooking appliances should be listed and labeled in accordance with ANSI Z83.11.
- (6) Gas-wood-fired cooking appliances should be listed and labeled in accordance with ANSI Z83.11, ANSI/UL 737, and/or UL Subject 2162, depending on exact appliance type.

A.12.1.2.1 Gas-fueled appliances should be installed to the requirements of NFPA 54 or NFPA 58.

A.12.1.2.2 The effectiveness of an automatic extinguishing system is affected by the placement of the nozzles. For this reason, it is essential that cooking appliances be situated in the area in which they were when the extinguishing equipment was designed and installed. If an appliance is moved from under the equipment for cleaning or any other reason, it should be returned to its original position prior to initiation of a cooking operation.

When appliances are on wheels or casters for ease of cleaning, it is important that the appliance be placed in its design position to ensure that the fire-extinguishing system will be effective. An approved method should ensure that the appliance is returned to its appropriate position before cooking takes place. Channels, markings, or other approved methods assist in ensuring proper placement.

A.14.2.2 The space or room should be of ample size to permit adequate circulation of heated air.

A.14.3.4 This section is intended to apply when heat for cooking is provided by gas burners when a limited quantity [see 14.3.4(4)] of solid fuel is used for flavoring.

A.14.3.4(1) Verify conformance with 12.1.2 prior to adding a solid fuel holder (smoker box) to existing cooking equipment.

A.14.3.4(4) The limit of 2 kg (4.5 lb) of solid fuel consumed per hour per 29.3 kW (100,000 Btu/hr) of burner capacity is used to provide a measurable and enforceable limitation. It is anticipated that documented cooking procedures can be established to limit solid fuel consumption to 2 kg (4.5 lb) per hour per 29.3 kW (100,000 Btu/hr) of burner capacity. The cooking procedures should clearly identify how the solid fuel is used (i.e., size and quantity of wood strips used, the number of wood strips that can be in the solid fuel holder at any given time, approximately how long the strips are expected to last, and at what point new strips can be added). Acceptable cooking procedures can be used by both the cook and the authority having jurisdiction to verify compliance with this requirement. It is not anticipated that solid fuel consumption will be continuously monitored, but rather that the fuel consumption will be limited by following acceptable documented cooking procedures. The gas burner capacity (in kW or Btu/hr) should be based on the manufacturer's rating.

A.14.7.8 Water-type extinguishers are not allowed in the kitchen cooking area because they do not saponify upon contact with grease. However, 2-A rated water spray extinguishers are allowed to be used for solid fuel cooking in appliances with fireboxes of 0.14 m³ (5 ft³) volume or less. The 2-A rated water spray fire extinguisher is equipped with a nozzle that does not produce a straight stream.

A.15.1 See Figure A.15.1, which shows a typical downdraft system arrangement.

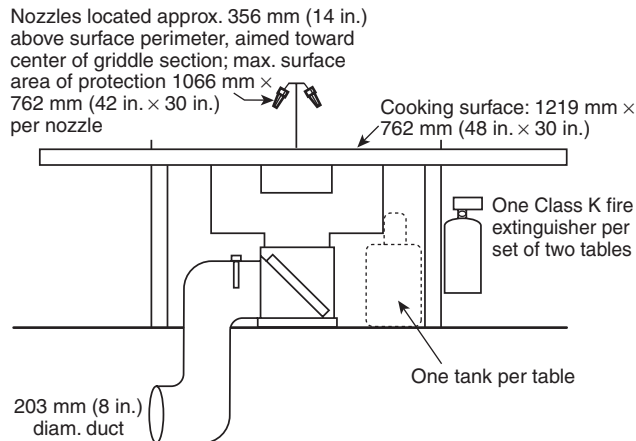


FIGURE A.15.1 Typical Downdraft System Arrangement.

Annex B Informational References

B.1 Referenced Publications. The documents or portions thereof listed in this annex are referenced within the informational sections of this standard and are not part of the requirements of this document unless also listed in Chapter 2 for other reasons.

B.1.1 NFPA Publications. National Fire Protection Association, 1 Batterymarch Park, Quincy, MA 02169-7471.

NFPA 10, *Standard for Portable Fire Extinguishers*, 2013 edition.

NFPA 54, *National Fuel Gas Code*, 2012 edition.

NFPA 58, *Liquefied Petroleum Gas Code*, 2014 edition.

B.1.2 Other Publications.

B.1.2.1 ANSI Publications. American National Standards Institute, Inc., 25 West 43rd Street, 4th Floor, New York, NY, 10036.

ANSI Z83.11, *Gas Food Service Equipment*, 2006.

B.1.2.2 ASHRAE Publications. American Society of Heating, Refrigerating and Air-Conditioning Engineers, Inc., 1791 Tullie Circle, N.E., Atlanta, GA 30329-2305.

Kuehn, T. H., et al., "Effects of air velocity on grease deposition in exhaust ductwork," ASHRAE Research Project 1033-RP Final Report. Minneapolis: University of Minnesota, 2006.

ANSI/ASHRAE 154, *Ventilation for Commercial Cooking Operations*, 2011.

B.1.2.3 ASTM Publications. ASTM International, 100 Barr Harbor Drive, P.O. Box C700, West Conshohocken, PA 19428-2959.

ASTM E 136, *Standard Test Method for Behavior of Materials in a Vertical Tube Furnace at 750°C*, 2012.

B.1.2.4 Gypsum Association Publications. Gypsum Association, 6525 Belcrest Road, Suite 480, Hyattsville, MD 20782.

Fire Resistance Design Manual, 1992.

B.1.2.5 NSF International Publications. NSF International, P.O. Box 130140, 789 N. Dixboro Road, Ann Arbor, MI 48113-0140.

NSF/ANSI 2, *Food Equipment*, 2003.

B.1.2.6 UL Publications. Underwriters Laboratories Inc., 333 Pfingsten Road, Northbrook, IL 60062-2096.

ANSI/UL 197, *Standard for Commercial Electric Cooking Appliances*, 2010.

ANSI/UL 199, *Standard for Automatic Sprinklers for Fire-Protection Service*, 2005, revised 2008.

ANSI/UL 300, *Standard for Fire Testing of Fire Extinguishing Systems for Protection of Restaurant Cooking Areas*, 2005, revised 2010.

ANSI/UL 710B, *Standard for Recirculating Systems*, 2011.

ANSI/UL 737, *Standard for Fireplace Stoves*, 2011.

ANSI/UL 896, *Standard for Oil-Burning Stoves*, 1993.

ANSI/UL 923, *Standard for Microwave Cooking Appliances*, 2008.

UL Subject 199B, *Outline of Investigation for Control Cabinets for Automatic Sprinkler Systems Used for Protection of Commercial Cooking Equipment*, 2006.

UL Subject 199E, *Outline of Investigation for Fire Testing of Sprinklers and Water Spray Nozzles for Protection of Deep Fat Fryers*, 2004.

ANSI/UL 1046, *Standard for Grease Filters for Exhaust Ducts*, 2010, revised 2012.

UL Subject 2162, *Outline of Investigation for Commercial Wood-Fired Baking Ovens*, 2004.

UL Subject 2728, *Outline of Investigation for Pellet Fuel Burning Cooking Appliances*, 2009.

B.2 Informational References. The following documents or portions thereof are listed here as informational resources only. They are not a part of the requirements of this document.

Ackland, P., *Inspection Manual for Commercial Kitchen Exhaust Systems*, 2001. ISBN 0-968160-4-6. Phil Ackland, P.O. Box 856, Summerland, BC V0H 1Z0.

Ackland, P., *Kitchen Exhaust Cleaning and Certification Manual*, 2003. ISBN 0-9681760-70. Phil Ackland, P.O. Box 856, Summerland, BC V0H 1Z0.

American Society of Heating, Refrigerating and Air-Conditioning Engineers (ASHRAE), "Kitchen Ventilation," Chapter 33 in *Heating, Ventilating, and Air-Conditioning Applications*, Atlanta: ASHRAE, 2011.

ANSI/IKECA C10, *Standard for Cleaning of Commercial Kitchen Exhaust Systems*, Philadelphia: International Kitchen Exhaust Cleaning Association, 2011.

Carson, W. G., and R. L. Klinker, *Fire Protection Systems: Inspection, Test and Maintenance Manual*, 3rd edition, Quincy, MA: NFPA, 2000.

Cote, A. E., ed., "Ventilation of Commercial Cooking Operations," Chapter 12.9 in *Fire Protection Handbook*, 19th edition, Quincy, MA: NFPA, 2003.

NFPA 251, *Standard Methods of Tests of Fire Resistance of Building Construction and Materials*, 2006 edition.

Gerstler, W. D., "New Rules for Kitchen Exhaust," *ASHRAE Journal*, November 2002: 26-33.

Solomon, R. E., ed., "Protection of Commercial Cooking Equipment," Chapter 55 in *Fire and Life Safety Inspection Manual*, 8th edition, Quincy, MA: NFPA, 2002.

"Using Extinguishers in Commercial Kitchens." National Fire Protection Association video, VC72VH, Quincy, MA: NFPA, 2002.

B.3 References for Extracts in Informational Sections. NFPA 5000[®], *Building Construction and Safety Code*[®], 2012 edition.

Index

Copyright © 2013 National Fire Protection Association. All Rights Reserved.

The copyright in this index is separate and distinct from the copyright in the document that it indexes. The licensing provisions set forth for the document are not applicable to this index. This index may not be reproduced in whole or in part by any means without the express written permission of NFPA.

-A-	
Access Panel	
Definition	3.3.1
Administration	Chap. 1
Application	1.3
Equivalency	1.5
Purpose	1.2
Retroactivity	1.4
Scope	1.1
Air Intakes	
Definition	3.3.2
Air Movement	Chap. 8
Airflow	8.2
Air Velocity	8.2.1
Air Volume	8.2.2
Exhaust Fan Operation	8.2.3
Common Duct (Manifold) Systems	8.4
Exhaust Fans for Commercial Cooking Operations	8.1
Exhaust Fan Housings	8.1.5
In-Line Exhaust Fans	8.1.3, A.8.1.3
Openings for Cleaning, Servicing, and Inspection	8.1.6
Upblast Fans	8.1.6.3
Upblast Exhaust Fans	8.1.2, A.8.1.2
Utility Set Exhaust Fans	8.1.4, A.8.1.4
Wiring and Electrical Equipment	8.1.7
Replacement Air	8.3, A.8.3
Air Pollution Control Devices	
Definition	3.3.3
Appliance Flue Outlet	
Definition	3.3.4, A.3.3.4
Approved	
Definition	3.2.1, A.3.2.1
Appurtenance	
Definition	3.3.5
Assembly Occupancy	
Definition	3.3.6
Authority Having Jurisdiction (AHJ)	
Definition	3.2.2, A.3.2.2
Automatic	
Definition	3.3.7
Auxiliary Equipment	Chap. 9
Dampers	9.1
Electrical Equipment	9.2
Lighting Units	9.2.3
Other Equipment	9.3
-B-	
Baffle Plate	
Definition	3.3.8
Broiler	
Definition	3.3.9
High Broiler	
Definition	3.3.9.1
Salamander Broiler	
Definition	3.3.9.2
Upright Broiler	
Definition	3.3.9.3
-C-	
Certified	
Definition	3.3.10, A.3.3.10
Classified	
Definition	3.3.11
Clean(ing)	
Definition	3.3.12
Clearly Identified	
Definition	3.3.13
Construction	
Closed Combustible Construction	
Definition	3.3.14.1
Definition	3.3.14, A.3.3.14
Open Combustible Construction	
Definition	3.3.14.2
Continuous Weld	
Definition	3.3.15, A.3.3.15
-D-	
Damper	
Definition	3.3.16
Definitions	Chap. 3
Detection Devices	
Definition	3.3.17
Discharge	
Definition	3.3.18
Downdraft Appliance Ventilation Systems	Chap. 15
Airflow Switch or Transducer	15.3
Fire-Extinguishing Equipment	15.2
General Requirements	15.1, A.15.1
Surface Materials	15.4
Duct Termination	
Definition	3.3.19
Ducts (or Duct System)	
Bleed Air Duct	
Definition	3.3.20.1
Definition	3.3.20
Grease Ducts	
Definition	3.3.20.2
-E-	
Easily Accessible	
Definition	3.3.21
Enclosure	
Continuous Enclosure	
Definition	3.3.22.1
Definition	3.3.22
Grease Duct Enclosure	
Definition	3.3.22.2
Equipment	
Definition	3.3.23
Fire-Extinguishing Equipment	
Definition	3.3.23.1
Solid Fuel Cooking Equipment	
Definition	3.3.23.2, A.3.3.23.2
Exhaust Duct Systems	Chap. 7
Clearance	7.2
Exterior Installations	7.6
General	7.1
Interior Installations	7.7
Duct Enclosures	7.7.1
Ducts with Enclosure(s)	7.7.5
Enclosure Fire Resistance Rating and Enclosure	
Clearance	7.7.2



Enclosure Clearance 7.7.2.2, A.7.7.2.2
 Fire Resistance Rating 7.7.2.1
 Enclosure Openings 7.7.4
 Protection of Coverings and Enclosure Materials 7.7.3
Openings 7.3
Openings in Ducts 7.4
 Access Panels 7.4.3
 Horizontal Ducts 7.4.1
 Protection of Openings 7.4.4
 Vertical Ducts 7.4.2
Other Grease Ducts 7.5
 Installation 7.5.2
 Materials 7.5.1, A.7.5.1
 Welded Duct Connections 7.5.5
 Termination of Exhaust System 7.8, A.7.8
 Rooftop Terminations 7.8.2
 Rooftop Terminations Through Combustible or Limited-Combustible Walls 7.8.4, A.7.8.4
 Wall Terminations 7.8.3
Explanatory Material Annex A

-F-

Filter
 Definition 3.3.24
 Grease Filter
 Definition 3.3.24.1, A.3.3.24.1
 Mesh Filter
 Definition 3.3.24.2
Fire Resistance Rating
 Definition 3.3.25
Fire Wall
 Definition 3.3.26
Fire-Extinguishing Equipment Chap. 10
 Fuel and Electric Power Shutoff 10.4
 General Requirements 10.1
 Manual Activation 10.5
 Portable Fire Extinguishers 10.10
 Review and Certification 10.9
 Installation Requirements 10.9.2, A.10.9.2
 Simultaneous Operation 10.3
 Special Design and Application 10.8
 System Annunciation 10.6
 System Supervision 10.7
 Types of Equipment 10.2
 Fixed Baffle Hoods with Water Wash 10.2.8
 Modifications to Existing Hood Systems 10.2.7
 Water Valve Supervision 10.2.10
 Water-Based Fire-Extinguishing System 10.2.9
Fume Incinerators
 Definition 3.3.27
Fusible Link
 Definition 3.3.28

-G-

General Requirements Chap. 4
 Authority Having Jurisdiction Notification 4.7
 Building and Structural Duct Contact 4.4
 Clearance 4.2, A.4.2
 Clearance Integrity 4.2.4
 Clearance Reduction 4.2.3
 Drawings 4.6
 Duct Clearances to Enclosures 4.5
 Field-Applied and Factory-Built Grease Duct Enclosures 4.3
 Clearance Options for Field-Applied and Factory-Built Grease Duct Enclosures 4.3.6
 General 4.1
 Materials 4.8
 Limited-Combustible Material 4.8.2
 Noncombustible Material 4.8.1
Grease
 Definition 3.3.29, A.3.3.29

Grease Removal Devices
 Definition 3.3.30
Grease Removal Devices in Hoods Chap. 6
 Grease Removal Devices 6.1
 Installation 6.2
 Grease Drip Trays 6.2.4
 Grease Filter Orientation 6.2.5
 Grease Filters 6.2.3
 Grease Removal Device Protection 6.2.2
 Separation Distance 6.2.1
Greasetight
 Definition 3.3.31

-H-

High Limit Control Device
 Definition 3.3.32
Hood
 Definition 3.3.33, A.3.3.33
 Fixed Baffle Hood
 Definition 3.3.33.1
Hoods Chap. 5
 Construction 5.1
 Eyebrow-Type Hoods 5.1.8
 Exhaust Hood Assemblies with Integrated Supply
 Air Plenums 5.3
 Fire Dampers 5.3.4, A.5.3.4
 Hood Size 5.2
 Listed Hood Assemblies 5.4, A.5.4
 Listed Ultraviolet Hoods 5.5
 Listed Ventilated Ceiling Technology 5.6

-I-

Informational References Annex B
Interconnected
 Definition 3.3.34

-L-

Labeled
 Definition 3.2.3
Liquidtight
 Definition 3.3.35
Listed
 Definition 3.2.4, A.3.2.4

-M-

Maintenance
 Definition 3.3.36
Material
 Combustible Material
 Definition 3.3.37.1
 Definition 3.3.37, A.3.3.37
 Limited-Combustible (Material)
 Definition 3.3.37.2
 Noncombustible Material
 Definition 3.3.37.3, A.3.3.37.3
Minimum Safety Requirements for Cooking Equipment Chap. 12
 Cooking Equipment 12.1
 Installation 12.1.2
 Operating Controls 12.2

-N-

Noncompliant
 Definition 3.3.38

-P-

Pitched
 Definition 3.3.39

Procedures for the Use, Inspection, Testing, and Maintenance of Equipment	Chap. 11
Cleaning of Exhaust Systems	11.6
Cooking Equipment Maintenance	11.7
Inspection for Grease Buildup	11.4, A.11.4
Inspection of Fire Dampers	11.3
Documentation Tag	11.3.3, A.11.3.3
Replacement of Fusible Links	11.3.2
Inspection, Testing, and Maintenance of Fire-Extinguishing Systems	11.2
Inspection, Testing, and Maintenance of Listed Hoods Containing Mechanical, Water Spray, or Ultraviolet Devices	11.5
Operating Procedures	11.1

-Q-

Qualified	3.3.40
------------------------	--------

-R-

Recirculating Systems	3.3.41
Recirculating Systems	Chap. 13
Additional Fire Safety Requirements	13.5
Design Restrictions	13.2
General Requirements	13.1
Interlocks	13.3
Airflow Switch or Transducer	13.3.5
ESP Interlocks	13.3.4
Location and Application Restrictions	13.4
Use and Maintenance	13.6
Referenced Publications	Chap. 2
General	2.1
NFPA Publications	2.2
Other Publications	2.3
References for Extracts in Mandatory Sections	2.4
Removable	3.3.42
Replacement Air	3.3.43

-S-

Shall	3.2.5
Should	3.2.6

Single Hazard Area	3.3.44
Solid Cooking Fuel	3.3.45
Solid Fuel Cooking Operations	Chap. 14
Air Movement for Solid Fuel Cooking	14.6
Exhaust for Solid Fuel Cooking	14.4
Fire-Extinguishing Equipment for Solid Fuel Cooking	14.7
Hose Protection	14.7.9
Grease Removal Devices for Solid Fuel Cooking	14.5
Hoods for Solid Fuel Cooking	14.3
Location of Appliances	14.2
Minimum Safety Requirements: Fuel Storage, Handling, and Ash Removal for Solid Fuel Cooking	14.9
Installation Clearances	14.9.1
Other Safety Requirements	14.9.4
Site-Built Solid Fuel Cooking Appliances	14.9.4.3
Solid Fuel Handling and Ash Removal	14.9.3
Ash Protection	14.9.3.6
Ash Removal Container or Cart	14.9.3.8
Ash Removal Process	14.9.3.9
Hose Protection	14.9.3.7
Solid Fuel Storage	14.9.2
Procedures for Inspection, Cleaning, and Maintenance for Solid Fuel Cooking	14.8
Venting Application	14.1

Solvent

Definition	3.3.46
------------------	--------

Space

Concealed Spaces	3.3.47.1
Confined Space	3.3.47.2
Definition	3.3.47

Spark Arrester

Definition	3.3.48
------------------	--------

Standard

Definition	3.2.7
------------------	-------

-T-

Thermal Recovery Unit	3.3.49
Trained	3.3.50, A.3.3.50
Trap	3.3.51

Sequence of Events Leading to Issuance of This NFPA Committee Document

Step 1: Call for Proposals

- Proposed new Document or new edition of an existing Document is entered into one of two yearly revision cycles, and a Call for Proposals is published.

Step 2: Report on Proposals (ROP)

- Committee meets to act on Proposals, to develop its own Proposals, and to prepare its Report.
- Committee votes by written ballot on Proposals. If two-thirds approve, Report goes forward. Lacking two-thirds approval, Report returns to Committee.
- Report on Proposals (ROP) is published for public review and comment.

Step 3: Report on Comments (ROC)

- Committee meets to act on Public Comments to develop its own Comments, and to prepare its report.
- Committee votes by written ballot on Comments. If two-thirds approve, Report goes forward. Lacking two-thirds approval, Report returns to Committee.
- Report on Comments (ROC) is published for public review.

Step 4: Technical Report Session

- “*Notices of intent to make a motion*” are filed, are reviewed, and valid motions are certified for presentation at the Technical Report Session. (“Consent Documents” that have no certified motions bypass the Technical Report Session and proceed to the Standards Council for issuance.)
- NFPA membership meets each June at the Annual Meeting Technical Report Session and acts on Technical Committee Reports (ROP and ROC) for Documents with “certified amending motions.”
- Committee(s) vote on any amendments to Report approved at NFPA Annual Membership Meeting.

Step 5: Standards Council Issuance

- Notification of intent to file an appeal to the Standards Council on Association action must be filed within 20 days of the NFPA Annual Membership Meeting.
- Standards Council decides, based on all evidence, whether or not to issue Document or to take other action, including hearing any appeals.

Committee Membership Classifications

The following classifications apply to Technical Committee members and represent their principal interest in the activity of the committee.

- M *Manufacturer*: A representative of a maker or marketer of a product, assembly, or system, or portion thereof, that is affected by the standard.
- U *User*: A representative of an entity that is subject to the provisions of the standard or that voluntarily uses the standard.
- I/M *Installer/Maintainer*: A representative of an entity that is in the business of installing or maintaining a product, assembly, or system affected by the standard.
- L *Labor*: A labor representative or employee concerned with safety in the workplace.
- R/T *Applied Research/Testing Laboratory*: A representative of an independent testing laboratory or independent applied research organization that promulgates and/or enforces standards.
- E *Enforcing Authority*: A representative of an agency or an organization that promulgates and/or enforces standards.
- I *Insurance*: A representative of an insurance company, broker, agent, bureau, or inspection agency.
- C *Consumer*: A person who is, or represents, the ultimate purchaser of a product, system, or service affected by the standard, but who is not included in the *User* classification.
- SE *Special Expert*: A person not representing any of the previous classifications, but who has a special expertise in the scope of the standard or portion thereof.

NOTES:

1. “Standard” connotes code, standard, recommended practice, or guide.
2. A representative includes an employee.
3. While these classifications will be used by the Standards Council to achieve a balance for Technical Committees, the Standards Council may determine that new classifications of members or unique interests need representation in order to foster the best possible committee deliberations on any project. In this connection, the Standards Council may make appointments as it deems appropriate in the public interest, such as the classification of “Utilities” in the National Electrical Code Committee.
4. Representatives of subsidiaries of any group are generally considered to have the same classification as the parent organization.

Submitting Public Input / Public Comment through the Electronic Submission System (e-Submission):

As soon as the current edition is published, a Standard is open for Public Input.

Before accessing the e-Submission System, you must first sign-in at www.NFPA.org. *Note: You will be asked to sign-in or create a free online account with NFPA before using this system:*

- a. Click in the gray Sign In box on the upper left side of the page. Once signed-in, you will see a red “Welcome” message in the top right corner.
- b. Under the Codes and Standards heading, Click on the Document Information pages (List of Codes & Standards), and then select your document from the list or use one of the search features in the upper right gray box.

OR

- a. Go directly to your specific document page by typing the convenient short link of www.nfpa.org/document#, (Example: NFPA 921 would be www.nfpa.org/921) Click in the gray Sign In box on the upper left side of the page. Once signed in, you will see a red “Welcome” message in the top right corner.

To begin your Public Input, select the link The next edition of this standard is now open for Public Input (formally “proposals”) located on the Document Information tab, the Next Edition tab, or the right-hand Navigation bar. Alternatively, the Next Edition tab includes a link to Submit Public Input online

At this point, the NFPA Standards Development Site will open showing details for the document you have selected. This “Document Home” page site includes an explanatory introduction, information on the current document phase and closing date, a left-hand navigation panel that includes useful links, a document Table of Contents, and icons at the top you can click for Help when using the site. The Help icons and navigation panel will be visible except when you are actually in the process of creating a Public Input.

Once the First Draft Report becomes available there is a Public comment period during which anyone may submit a Public Comment on the First Draft. Any objections or further related changes to the content of the First Draft must be submitted at the Comment stage.

To submit a Public Comment you may access the e-Submission System utilizing the same steps as previous explained for the submission of Public Input.

For further information on submitting public input and public comments, go to: <http://www.nfpa.org/publicinput>

Other Resources available on the Doc Info Pages

Document information tab: Research current and previous edition information on a Standard

Next edition tab: Follow the committee’s progress in the processing of a Standard in its next revision cycle.

Technical committee tab: View current committee member rosters or apply to a committee

Technical questions tab: For members and Public Sector Officials/AHJs to submit questions about codes and standards to NFPA staff. Our Technical Questions Service provides a convenient way to receive timely and consistent technical assistance when you need to know more about NFPA codes and standards relevant to your work. Responses are provided by NFPA staff on an informal basis.

Products/training tab: List of NFPA’s publications and training available for purchase.

Community tab: Information and discussions about a Standard

Information on the NFPA Standards Development Process

I. Applicable Regulations. The primary rules governing the processing of NFPA standards (codes, standards, recommended practices, and guides) are the *NFPA Regulations Governing the Development of NFPA Standards (Regs)*. Other applicable rules include *NFPA Bylaws*, *NFPA Technical Meeting Convention Rules*, *NFPA Guide for the Conduct of Participants in the NFPA Standards Development Process*, and the *NFPA Regulations Governing Petitions to the Board of Directors from Decisions of the Standards Council*. Most of these rules and regulations are contained in the *NFPA Standards Directory*. For copies of the *Directory*, contact Codes and Standards Administration at NFPA Headquarters; all these documents are also available on the NFPA website at “www.nfpa.org.”

The following is general information on the NFPA process. All participants, however, should refer to the actual rules and regulations for a full understanding of this process and for the criteria that govern participation.

II. Technical Committee Report. The Technical Committee Report is defined as “the Report of the responsible Committee(s), in accordance with the Regulations, in preparation of a new or revised NFPA Standard.” The Technical Committee Report is in two parts and consists of the First Draft Report and the Second Draft Report. (See *Regs* at 1.4)

III. Step 1: First Draft Report. The First Draft Report is defined as “Part one of the Technical Committee Report, which documents the Input Stage.” The First Draft Report consists of the First Draft, Public Input, Committee Input, Committee and Correlating Committee Statements, Correlating Input, Correlating Notes, and Ballot Statements. (See *Regs* at 4.2.5.2 and Section 4.3) Any objection to an action in the First Draft Report must be raised through the filing of an appropriate Comment for consideration in the Second Draft Report or the objection will be considered resolved. [See *Regs* at 4.3.1(b)]

IV. Step 2: Second Draft Report. The Second Draft Report is defined as “Part two of the Technical Committee Report, which documents the Comment Stage.” The Second Draft Report consists of the Second Draft, Public Comments with corresponding Committee Actions and Committee Statements, Correlating Notes and their respective Committee Statements, Committee Comments, Correlating Revisions, and Ballot Statements. (See *Regs* at Section 4.2.5.2 and 4.4) The First Draft Report and the Second Draft Report together constitute the Technical Committee Report. Any outstanding objection following the Second Draft Report must be raised through an appropriate Amending Motion at the Association Technical Meeting or the objection will be considered resolved. [See *Regs* at 4.4.1(b)]

V. Step 3a: Action at Association Technical Meeting. Following the publication of the Second Draft Report, there is a period during which those wishing to make proper Amending Motions on the Technical Committee Reports must signal their intention by submitting a Notice of Intent to Make a Motion. (See *Regs* at 4.5.2) Standards that receive notice of proper Amending Motions (Certified Amending Motions) will be presented for action at the annual June Association Technical Meeting. At the meeting, the NFPA membership can consider and act on these Certified Amending Motions as well as Follow-up Amending Motions, that is, motions that become necessary as a result of a previous successful Amending Motion. (See 4.5.3.2 through 4.5.3.6 and Table 1, Columns 1-3 of *Regs* for a summary of the available Amending Motions and who may make them.) Any outstanding objection following action at an Association Technical Meeting (and any further Technical Committee consideration following successful Amending Motions, see *Regs* at 4.5.3.7 through 4.6.5.3) must be raised through an appeal to the Standards Council or it will be considered to be resolved.

VI. Step 3b: Documents Forwarded Directly to the Council. Where no Notice of Intent to Make a Motion (NITMAM) is received and certified in accordance with the Technical Meeting Convention Rules, the standard is forwarded directly to the Standards Council for action on issuance. Objections are deemed to be resolved for these documents. (See *Regs* at 4.5.2.5)

VII. Step 4a: Council Appeals. Anyone can appeal to the Standards Council concerning procedural or substantive matters related to the development, content, or issuance of any document of the Association or on matters within the purview of the authority of the Council, as established by the *Bylaws* and as determined by the Board of Directors. Such appeals must be in written form and filed with the Secretary of the Standards Council (See *Regs* at 1.6). Time constraints for filing an appeal must be in accordance with 1.6.2 of the *Regs*. Objections are deemed to be resolved if not pursued at this level.

VIII. Step 4b: Document Issuance. The Standards Council is the issuer of all documents (see Article 8 of *Bylaws*). The Council acts on the issuance of a document presented for action at an Association Technical Meeting within 75 days from the date of the recommendation from the Association Technical Meeting, unless this period is extended by the Council (See *Regs* at 4.7.2). For documents forwarded directly to the Standards Council, the Council acts on the issuance of the document at its next scheduled meeting, or at such other meeting as the Council may determine (See *Regs* at 4.5.2.5 and 4.7.4).

IX. Petitions to the Board of Directors. The Standards Council has been delegated the responsibility for the administration of the codes and standards development process and the issuance of documents. However, where extraordinary circumstances requiring the intervention of the Board of Directors exist, the Board of Directors may take any action necessary to fulfill its obligations to preserve the integrity of the codes and standards development process and to protect the interests of the Association. The rules for petitioning the Board of Directors can be found in the *Regulations Governing Petitions to the Board of Directors from Decisions of the Standards Council* and in 1.7 of the *Regs*.

X. For More Information. The program for the Association Technical Meeting (as well as the NFPA website as information becomes available) should be consulted for the date on which each report scheduled for consideration at the meeting will be presented. For copies of the First Draft Report and Second Draft Report as well as more information on NFPA rules and for up-to-date information on schedules and deadlines for processing NFPA documents, check the NFPA website (www.nfpa.org/aboutthecodes) or contact NFPA Codes & Standards Administration at (617) 984-7246.



STAY UP-TO-DATE. JOIN NFPA® TODAY!

YES Please enroll me as a member of NFPA for the term checked below. Activate all benefits, and ship my *Member Kit* including the *Benefits Guide* and other resources to help me make the most of my NFPA membership. Please allow three to four weeks for the kit to arrive.

BILLING INFORMATION:

Name _____ Title _____
Organization _____
Address _____
City _____ State _____ Zip/Postal Code _____
Country _____
Phone _____ E-mail _____

Priority Code: 8J-MIS-1Z

PLEASE ANSWER THE FOLLOWING QUESTIONS:

Job Title *(check one)*

- Architect, Engineer, Consultant, Contractor (C17)
- Facilities Safety Officer (F14)
- Fire Chief, Other Fire Service (A11)
- Loss Control, Risk Manager (L11)
- Inspector, Building Official, Fire Marshal (F03)
- Owner, President, Manager, Administrator (C10)
- Other (please specify): (G11) _____

Type of Organization *(check one)*

- Architecture, Engineering, Contracting (A14)
- Commercial Firm (Office, Retail, Lodging, Restaurant) (G13)
- Electrical Services, Installation (J11)
- Fire Service, Public and Private (AA1)
- Government (C12)
- Industrial Firm (Factory, Warehouse) (C11)
- Institutional (Health Care, Education, Detention, Museums) (B11)
- Insurance, Risk Management (B12)
- Utilities (G12)
- Other (please specify): (G11) _____

4 EASY WAYS TO JOIN

Fax: 1-800-593-6372, Outside the U.S. +1-508-895-8301
Mail: NFPA Membership Services Center,
11 Tracy Drive, Avon, MA 02322-9908
Online: nfpa.org
Call: 1-800-344-3555
Outside the U.S. call +1-617-770-3000

05/13-D

TERMS AND PAYMENT:

- 1 year (\$165)
- 2 years (\$300) **SAVE \$30**
- 3 years (\$430) **SAVE \$65**

Annual membership dues include a \$45 subscription to *NFPA Journal*®. Regular membership in NFPA is individual and non-transferable. NFPA Journal is a registered trademark of the National Fire Protection Association, Quincy, MA 02169. Voting privileges begin after 180 days of individual membership. Prices subject to change.

PAYMENT METHOD:

Check One:

- Payment Enclosed *(Make check payable to NFPA.)*
- Purchase Order *(Please attach this form to your P.O.)*
- Bill Me Later *(Not available on International memberships.)*

Charge My: VISA MasterCard AmEx Discover

Card # _____

Expiration Date _____

Name on Card _____

Signature _____

International members: Please note prepayment is required on all International orders. Be sure to enclose a check or select your preferred credit card option.

100% MONEY-BACK GUARANTEE

If anytime during your first year you decide membership is not for you, let us know and you'll receive a 100% refund of your dues.



"Member-Only" Benefits Keeps You Up-To-Date!

FREE! Technical Support — Technical Support by Phone/Email. Get fast, reliable answers to all code-related questions—from electrical safety for employee workplaces to carbon dioxide extinguishing systems—from NFPA's team of fire protection specialists.

NFPA Journal[®] — THE journal of record for fire protection, this bi-monthly publication will keep you abreast of the latest fire prevention and safety practices, as well as new technologies and strategies for protecting life and property from fire.

NFPA Update — This easy-to-read monthly e-newsletter will keep you up-to-date on important association programs such as the annual meeting; bring you times of interest from NFPA's regional offices; and alert you to nationwide events and opportunities you won't want to miss.

NFPA News — From new standards for dry cleaning plants to warning equipment for household carbon monoxide, this monthly online update keeps you abreast of additions of changes that could impact how you do you work.

NFPA Standards Directory — The NFPA Standards Directory is your complete guide to NFPA's code-making process. Simply access your online NFPA member profile for document revision guidelines, the revision cycle schedule, and forms for submitting Proposals and Comments. Your online NFPA member profile and access to the NFPA Standards Directory is automatically generated once you join NFPA.

FREE! Section Membership — Share YOUR expertise with others in any of 16 industry-specific sections covering your own field of interest.

Member Kit — Includes Membership Certificate, Pin, Decals, ID Card, and Camera-ready Logo Art. Display the NFPA member logo proudly on your business correspondence, literature, website, and vehicles.

10% Discounts — Save hundreds of dollars each year on the many products and services listed in the NFPA Catalog, including codes and standards publications, handbooks, training videos, and other education materials to increase your knowledge and skills.

Voting Rights — Your chance to help shape the future direction of fire prevention codes and standards. Voting rights go into effect 180 days from the start of individual membership.

Conference Invitation— Invitation to the NFPA Conference and Expo. Attend this important meeting at discounted rates as a member of NFPA.

Join NFPA today!
www.nfpa.org

NFPA[®] and *NFPA Journal*[®] are registered trademarks of the National Fire Protection Association, Quincy, MA 02169-7471